

"WDPHCLS"

Data Sheet

FEATURES

- Wide LCD backlight display
- Instrument operated by a rotation "Encoder"
- 1 metering pumps with PVDF pump heads
- A 230 Vac output driven by chlorine (or bromine)
- Flow control input
- pH range: 0-14 pH; Chlorine range: 0-10 mg/l Cl₂
- Chlorine probe (to specify): ECL1; ECL6; ECL12; ECL3S/10.
- Alarms: max dosing time, probe check-up, level, voltage, flow
- N.O. or N.C. digital input
- Programmable delay at dosing startup (max 60 minutes)
- pH priority dosage over Chlorine dosage
- Probe check-up
- pH compensation
- Environment working temp.: -10°C - 45°C (14°F - 113°F)
- Power supply 190÷265 VAC; 50/60 Hz
- RS485 output for web control (ERMES)



WDPHCLS is an integrated All-in-One Swimming Pool Controller with a metering pump for acid (pH) and a 230 Vac output driven by chlorine (or bromine) for salt generator or dry feeder (brominator).

It is possible to operate in two different working modes: On/Off or proportional according with the set points.

In On/Off working mode, a "Waiting Time" function let the pumps operate at pulses per minutes for a set time (1 pulse every x minutes) to provide a reaction time.

INPUT:

- Stand-by
- Flow
- pH level
- Chlorine level
- pH probe
- Chlorine probe
- Power supply

OUTPUT:

- pH pump
- 230 Vac output
- Alarm output

CONFIGURATION

MODELS
0310
SELF-VENTING MODELS
0307

POWER SUPPLY	
00	230 VAC Schuko plug
01	230 VAC without plug
03	115 VAC US plug

Model

WDS 0310 1 00 00 000

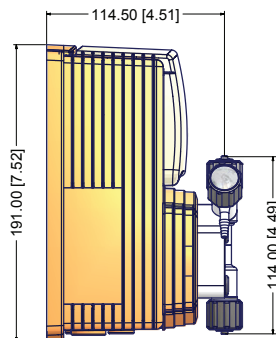
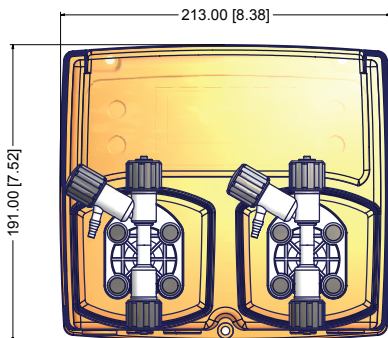
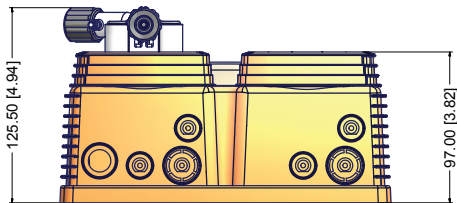
LIQUID ENDS								
	Head	Orings	Valves		Diaphragm	Hoses		Viscosity Max CPS
			Body	Balls		Delivery	Suction	
1	PVDF	Viton®	PVDF	Ceramic	PTFE	PE	PVC	100
2	PVDF	EPDM	PVDF	Ceramic	PTFE	PE	PVC	100

Viton® is a registered trademark of DuPont Dow Elastomers.



Important operational messages easily recognizable by the different background colors of the display

INFORMATION				
MODEL	Stroke speed		Power consumption	Weight
	Min stroke hour	Max stroke minute		
0310	1	180	32 Watt	3.0 Kg (6.61 Lbs)
SELF-VENTING MODEL				
0310	1	180	32 Watt	3.0 Kg (6.61 Lbs)



MORE INFORMATION						
MODEL	Flow		Stroke/minute	cc per stroke	Max pressure	
	l/h	GPH			bar	PSI
0310	10	2,64	180	0,93	03	44
SELF-VENTING MODEL						
0307	07	1,85	180	0,65	03	44