



CENTURIO PRO

MULTIPARAMETERS CONTROL SYSTEM



CENTURIO PRO is the ideal solutions for -no compromise- multiparameters control system with the ease and safety you need and with the stylish box designed by Giugiaro Design.

CENTURIO PRO is equipped with a Linux operating system, a high-performance ARM A5 microprocessor, a large, touchscreen, color display, in order to give you total and simultaneous control.



R3-06-20

Specs subject to change without advise

- ⬆ Parameters: conductivity, chlorine, pH, ORP, tracers, inductive conductivity, turbidity, potentiostatic, corrosion, dissolved oxygen, level laser and mA Input.
- ⬆ 11 modules available / max 10 reading
- ⬆ Real-time graphs
- ⬆ Permanent data storage with system log
- ⬆ USB Download
- ⬆ Data import/export (backup & restore) via USB port to other CENTURIO.
- ⬆ Internet connection (WIFI, 3G/4G or LAN), configuration and control by ERMES web app using PC, smartphone or tablet with any browser.
- ⬆ MODBUS serial communication to be connected to other devices on RS485 networks and TCP/IP MODBUS, laser sensor.
- ⬆ Remote software updating preserving settings and data.
- ⬆ Simultaneous multiple view for probes reading
- ⬆ N.O./N.C. Levels selection
- ⬆ Working mode auto/manual/stop
- ⬆ Permanent data storage with system log
- ⬆ Stand-by input
- ⬆ Different working modes (on/off, impulsive proportional, proportional pwm and fixed pwm)
- ⬆ Timeout
- ⬆ Programmable delay at dosing start-up (up to 99 minutes)
- ⬆ PT 100 temperature compensation / built in probe
- ⬆ Alarms and log report (hourly, daily, weekly, monthly).
- ⬆ PEF LIGHT ALARM input

HARWARE

- ⬆ Large 4.3" LCD Full Color Touchscreen Display
- ⬆ High-performance ARM A5 microprocessor
- ⬆ Large capacity storage for logging

SOFTWARE

- ⬆ ERMES Remote Control
- ⬆ Multi-language
- ⬆ Cross platform software
- ⬆ Communication WIFI - 3G/4G - ETHERNET - MODBUS
- ⬆ High performance with LINUX operating system

PARAMETERS

- ⬆ 11 modules available
- ⬆ MODBUS TCP/IP and RTU module included
- ⬆ ETHERNET module included
- ⬆ USB module included
- ⬆ WIFI or GSM module as option
- ⬆ 0/4-20 mA input module as option to control different parameters remotely

BOX

- ⬆ Box design by GIUGIARO DESIGN
- ⬆ New "EASY-MOUNT" system
- ⬆ Designed for mounting on pipes
- ⬆ Opening with side zipper and captive screws



CENTURIO PRO

MULTIPARAMETERS CONTROL SYSTEM

11 MODULES AVAILABLE

| | | | | | |
|---|---|--|---|---|--|
| <p>+ CORROSION MPY MILS PER YEAR</p> | <p>+ pH 0 - 14 pH</p> | <p>+ ORP -999 +999 mV</p> | <p>+ CHLORINE DIFFERENT SCALES</p> | <p>+ TRACERS 0 - 999.9 PPM</p> | <p>+ mA INPUT 0/4-20 mA analog input on board</p> |
| | <p>+ TURBIDITY 40 NTU 400 NTU 4000 NTU</p> | <p>+ POTENTIOSTATIC 5 PPM</p> | <p>+ DISSOLVED OXYGEN 9.999 - 9999 PPM</p> | <p>+ LASER LEVEL DIFFERENT TANKS</p> | <p>+ CDIND 0,1 - 3mS 0,3 - 30mS 0,3 - 300mS CONDUCTIVITY 0 - 300.0 μS 0 - 3000 μS 0 - 30 mS 0 - 300 mS</p> |

TECHNICAL DATA

| | |
|-------------------------|--|
| POWER SUPPLY | 85-264 VAC; 50/60 Hz - 2 fuses protection (main power & controller) |
| AVERAGE CONSUMPTION | 25 W |
| SETPOINT OUTPUTS | 2 relays free contact, 6 powered (on/off), 8 for pulses dosing pump (NPN) |
| ANALOG OUTPUTS | 6 0/4 - 20mA |
| INPUTS | 2 for pulse sender water-meter, 1 flow sensor, 8 alarms channel, 1 standby |
| ENVIRONMENT TEMPERATURE | -10°C / 50°C (14°F / 122°F) |
| PROTECTION GRADE | IP65 - % working RH: 85% with ≤40 °C; 70% at 50 °C (non condensing) |
| POLLUTION LEVEL | 2 |
| CASE | ABS |
| TEST / CERTIFICATION | CE |
| DIMENSIONS | see draw |
| INSTALLATION | wall mounting (4 fixing points) |
| COMMUNICATION | ETHERNET / USB / MODBUS |
| OPTIONS ¹ | <ul style="list-style-type: none"> • WIFI ² • GSM/GPRS ² |

¹ On request

² For configuration features refer to the table at the end of the document.

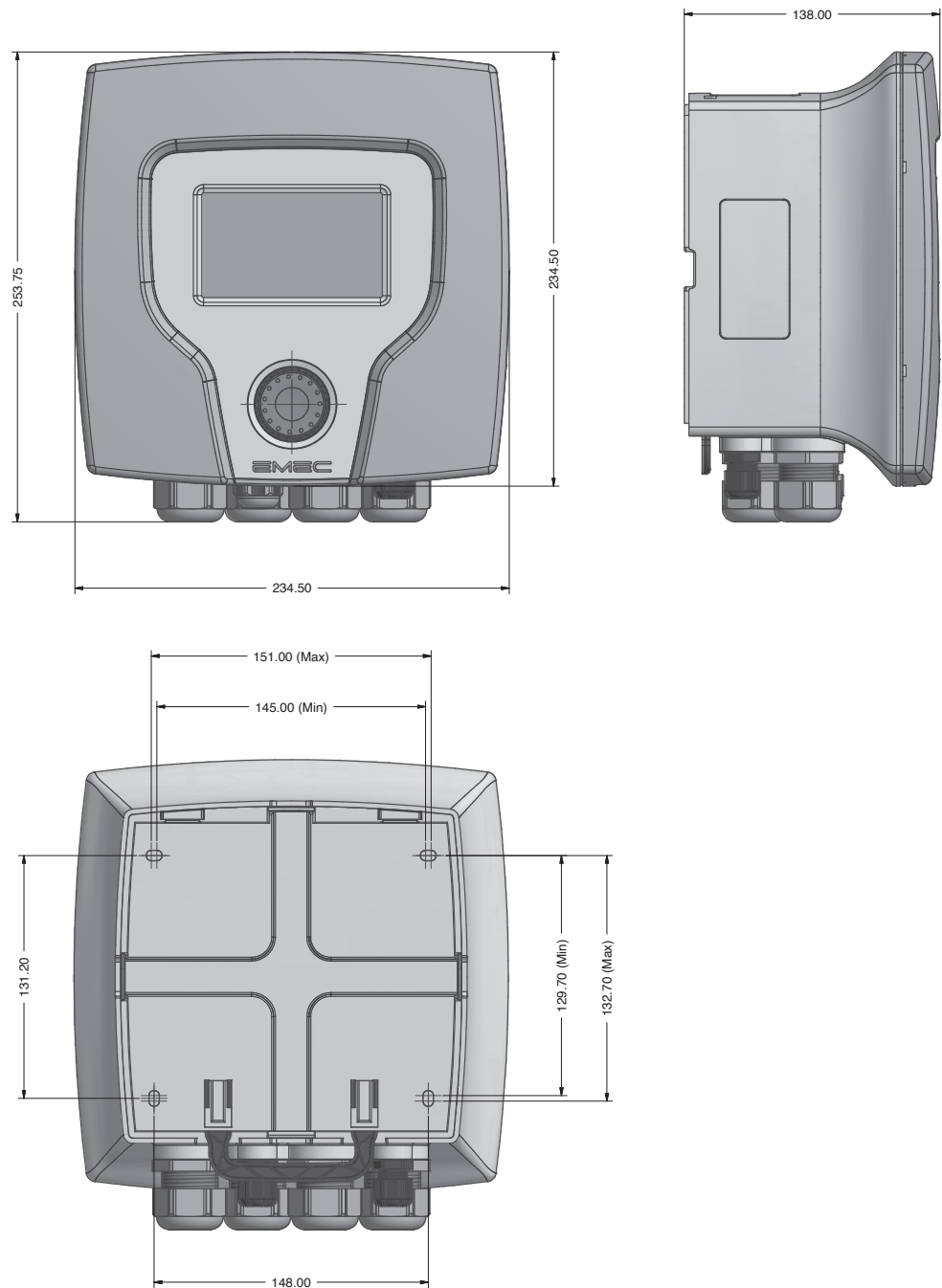


CENTURIO PRO

MULTIPARAMETERS CONTROL SYSTEM

DIMENSIONS

mm





CENTURIO PRO

MULTIPARAMETERS CONTROL SYSTEM

CONFIGURATIONS

| INSTRUMENT CONFIGURATION | PLUS | WHEN | REQUIREMENTS | FUNCTION |
|------------------------------|---|---|--------------------|--|
| USB | USB output | You do not need a PC on your plant: you can download data log on a USB device | / | RS485 output to link other EMEC instruments Data Log on USB device |
| ETHERNET | LAN network between instrument and web | Remote control via WEB ERMES | LAN wiring (RJ-45) | RS485 output to link other EMEC instruments Web ERMES remote control (PC, smartphone or tablet) Alarm messages via email |
| MODBUS | Connection to other devices (PLC) via RS485 | PLC plant management | / | PLC connection output for reading and modifying parameters |
| GSM/GPRS ¹ | 3G/4G modem between instrument and web | Remote control via WEB ERMES | Network coverage | RS485 output to link other EMEC instruments Web ERMES remote control (PC, smartphone or tablet) Alarm messages via email Alarm messages via SMS |
| WIFI ¹ | WIFI network between instrument and web | Remote control via WEB ERMES | Network coverage | RS485 output to link other EMEC instruments Web ERMES remote control (PC, smartphone or tablet) Alarm messages via email |

¹ Option