

## RACK MOUNTING (96X96) SINGLE READING SYSTEMS

**JA / JA PRO** control instruments are a series of **rack mounting (96x96)** single reading systems.

It can set and monitor: pH, ORP, chlorine (depending on the probe: total chlorine, free chlorine, chlorine dioxide, hydrogen peroxide, ozone, bromine or paracetic acid) and conductivity with **automatic range and probe / product selection (uS/S - Ohm - TDS / PPM - Concentration H3PO4 - H2SO4 - HNO3 - HCl - NaOH - NaCl)**

**JA** models have: 2 setpoints (on/off, proportional), 0-20 mA or 4-20 mA output proportional to read value and programmable in the reading range and flow input.

**JA PRO** models version have: 2 setpoints (on/off, proportional), standby input, flow input, alarm output, 0-20 mA or 4-20 mA output proportional to read value and programmable in the reading range, opto coupled output, MODBUS communication.

Available also low voltage 9-18VDC or 18-36VDC power supply.

Available IP54 protection cover.



R2-06-20

## MODELS

JA	JA PRO	MEASURE
JAPH	JAPH PRO	pH
JARH	JARH PRO	ORP
JACL	JACL PRO	Chlorine
JACD	JACD PRO	Conductivity
JACDIND	JACDIND PRO	Inductive Conductivity

### INPUT SIGNAL

pH / ORP: BNC; impedance > 10<sup>12</sup> Ω  
Chlorine / Conductivity: connection board

### FLOW INPUT

**2 ON/OFF / PROPORTIONAL / PID (JAPRO only) OUTPUT**  
free voltage contact

### OPTO COUPLED OUTPUT (JA PRO only)

To use with "IS", "MF", "PLUS" series pumps

### ALARM OUTPUT (JA PRO only)

free voltage contact

### CURRENT OUTPUT

Programmable 0/4-20mA (max 350 Ohm) galvanic isolated

### TEMPERATURE COMPENSATION

PT100 sensor (0-200°C)

### DELAY

Programmable delay at startup for probe polarization.

### DISPLAY

Backlight LCD display.

### POWER SUPPLY

85-264VAC; 18-36VAC; 9-18VDC or 18-36VDC; 50/60 Hz

### STAND-BY INPUT (JAPRO only)

### MODBUS RTU PROTOCOL (JAPRO only)

### EASY USER INTERFACE WITH NAVI-KEYS SYSTEM

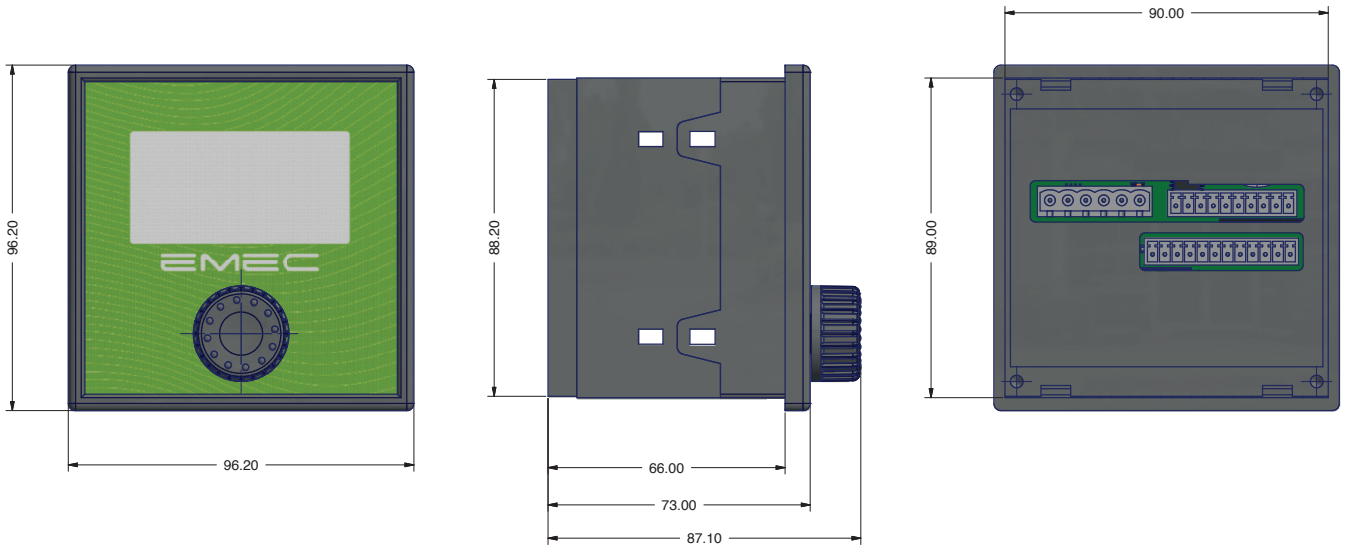
### PASSWORD PROTECTED SETTINGS

### OPTION

IP54 PROTECTION

RACK MOUNTING (96X96) SINGLE READING SYSTEMS

DIMENSIONS JA

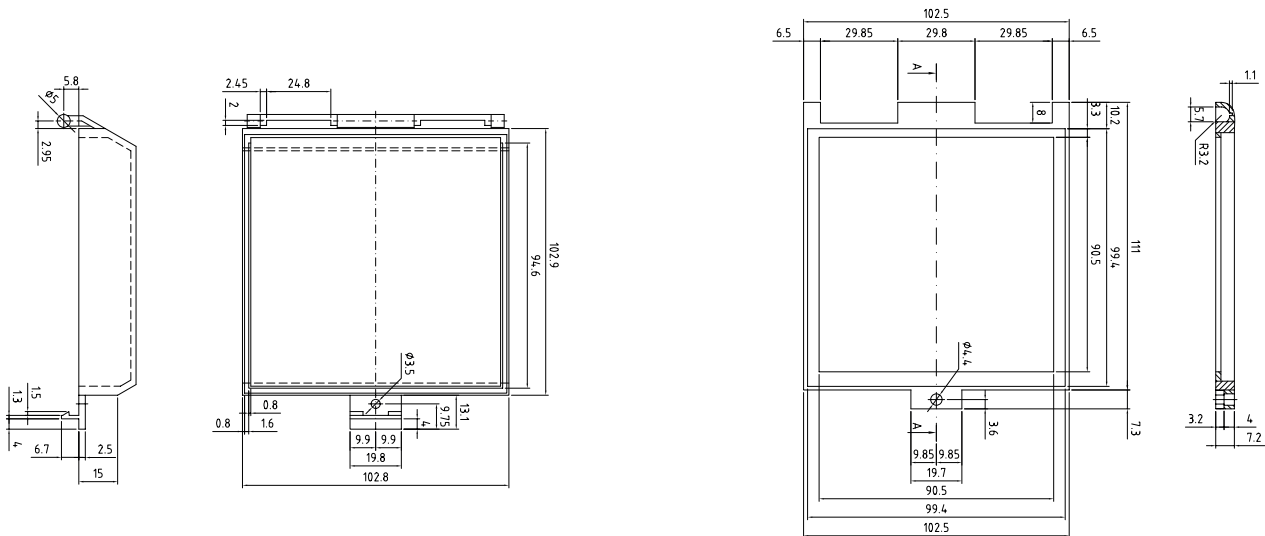


OPTIONS



IP54 PROTECTION

DIMENSIONS PROTECTION IP54



## RACK MOUNTING (96X96) SINGLE READING SYSTEMS

## JAPH

	JAPH	JAPH PRO
MEASURE	pH	
RANGE	0-14 pH; resolution: 0,01	
TEMPERATURE COMPENSATION	PT100	
INPUT SIGNAL	BNC; impedance > 10 <sup>12</sup> Ω	
POWER SUPPLY	24, 115, 230 VAC; 50/60 Hz	
FUSE	0,5 A	
AVERAGE CONSUMPTION	4 W	
FUNCTIONS	2 Setpoints (Volt-Free Relay Contact) Flow input pH probe Temperature probe Programmable 0/4-20mA (max 500 Ohm) galvanic isolated	2 Setpoints (Volt-Free Relay Contact) Flow input pH probe Temperature probe Programmable 0/4-20mA (max 500 Ohm) galvanic isolated Alarm Output (Volt-Free Relay Contact) Stand-by Input MODBUS RTU Opto Coupled Pulse Output
ENVIRONMENT TEMPERATURE	0°C ... 50°C (32°F ... 122°F) / 0-95% (non condensing) relative humidity	
PROTECTION	IP40 - on request IP54	
POLLUTION LEVEL	2	
ENCLOSURE MATERIAL	PP	
TEST/CERTIFICATION	CE	
DIMENSIONS	refer to the drawing	
INSTALLATION	rack mounting	

## RACK MOUNTING (96X96) SINGLE READING SYSTEMS

## JARH

	JARH	JARH PRO
MEASURE	ORP	
RANGE	-999/+1999 mV; resolution: 1	
TEMPERATURE COMPENSATION	PT100	
INPUT SIGNAL	BNC; impedance > 10 <sup>12</sup> Ω	
POWER SUPPLY	24, 115, 230 VAC <sup>1</sup> ; 50/60 Hz	
FUSE	0,5 A	
AVERAGE CONSUMPTION	4 W	
CURRENT OUTPUT	Programmable 0/4-20mA (max 500 Ohm) galvanic isolated	
FUNCTIONS	2 Setpoints (Volt-Free Relay Contact) Flow input ORP probe Temperature probe Programmable 0/4-20mA (max 500 Ohm) galvanic isolated	2 Setpoints (Volt-Free Relay Contact) Flow input ORP probe Temperature probe Programmable 0/4-20mA (max 500 Ohm) galvanic isolated Alarm Output (Volt-Free Relay Contact) Stand-by Input MODBUS RTU Opto Coupled Pulse Output
ENVIRONMENT TEMPERATURE	0°C ... 50°C (32°F ... 122°F) / 0-95% (non condensing) relative humidity	
PROTECTION	IP40 - on request IP54	
POLLUTION LEVEL	2	
ENCLOSURE MATERIAL	PP	
TEST/CERTIFICATION	CE	
DIMENSIONS	refer to the drawing	
INSTALLATION	rack mounting	

## RACK MOUNTING (96X96) SINGLE READING SYSTEMS

**JACL**

	JACL	JACL PRO
MEASURE	Total chlorine Free Chlorine Chlorine Dioxide Hydrogen Peroxyde Ozone Bromine Peracetic Acid	
RANGE	autorange scale from 0 to 9999 (nS/uS/mS/S)	
TEMPERATURE COMPENSATION	PT100	
INPUT SIGNAL	Board	
POWER SUPPLY	24, 115, 230 VAC <sup>1</sup> ; 50/60 Hz	
FUSE	0,5 A	
AVERAGE CONSUMPTION	4 W	
CURRENT OUTPUT	Programmable 0/4-20mA (max 500 Ohm) galvanic isolated	
FUNCTIONS	2 Setpoints (Volt-Free Relay Contact) Flow input Chlorine probe Temperature probe Programmable 0/4-20mA (max 500 Ohm) galvanic isolated	2 Setpoints (Volt-Free Relay Contact) Flow input Chlorine probe Temperature probe Programmable 0/4-20mA (max 500 Ohm) galvanic isolated Alarm Output (Volt-Free Relay Contact) Stand-by Input MODBUS RTU Opto Coupled Pulse Output
ENVIRONMENT TEMPERATURE	0°C ... 50°C (32°F ... 122°F) / 0-95% (non condensing) relative humidity	
PROTECTION	IP40 - on request IP54	
POLLUTION LEVEL	2	
ENCLOSURE MATERIAL	PP	
TEST/CERTIFICATION	CE	
DIMENSIONS	refer to the drawing	
INSTALLATION	rack mounting	

## RACK MOUNTING (96X96) SINGLE READING SYSTEMS

## JACD

	JACD	JACD PRO
MEASURE	Conductivity ( $\mu\text{S-S}$ ) - default setting	Conductivity ( $\mu\text{S-S}$ ) - default setting
	Resistance (Ohm)	Resistance (Ohm)
	TDS (total dissolved solids) / ppm	TDS (total dissolved solids) / ppm
	/	Concentration (H <sub>3</sub> PO <sub>4</sub> - H <sub>2</sub> SO <sub>4</sub> - HNO <sub>3</sub> - HCl - NaOH - NaCl)
RANGE	0.1 $\mu\text{S}$ -100mS (K=1) 0.01 $\mu\text{S}$ -10mS (K=0.1) 0.001 $\mu\text{S}$ -1mS (K=0.01) 1 $\mu\text{S}$ -1S (K=10)	
TEMPERATURE COMPENSATION	PT100	
INPUT SIGNAL	Board	
POWER SUPPLY	24, 115, 230 VAC <sup>1</sup> ; 50/60 Hz	
FUSE	0,5 A	
AVERAGE CONSUMPTION	4 W	
CURRENT OUTPUT	Programmable 0/4-20mA (max 500 Ohm) galvanic isolated	
FUNCTIONS	2 Setpoints (Volt-Free Relay Contact) Flow input Conductivity probe Temperature probe Programmable 0/4-20mA (max 500 Ohm) galvanic isolated	2 Setpoints (Volt-Free Relay Contact) Flow input Conductivity probe Temperature probe Programmable 0/4-20mA (max 500 Ohm) galvanic isolated Alarm Output (Volt-Free Relay Contact) Stand-by Input MODBUS RTU Opto Coupled Pulse Output
ENVIRONMENT TEMPERATURE	0°C ... 50°C (32°F ... 122°F) / 0-95% (non condensing) relative humidity	
PROTECTION	IP40 - on request IP54	
POLLUTION LEVEL	2	
ENCLOSURE MATERIAL	PP	
TEST/CERTIFICATION	CE	
DIMENSIONS	refer to the drawing	
INSTALLATION	rack mounting	

## RACK MOUNTING (96X96) SINGLE READING SYSTEMS

## JACD IND

	JACD IND	JACD IND PRO
MEASURE	Inductive Conductivity (mS-S) - default setting	Inductive Conductivity (µS-S) - default setting
	Resistance (Ohm)	Resistance (Ohm)
	TDS (total dissolved solids) / ppm	TDS (total dissolved solids) / ppm
	/	Concentration (H3PO4 - H2SO4 - HNO3 - HCl - NaOH - NaCl)
RANGE	0-3.000 mS 0-300.0 mS	
TEMPERATURE COMPENSATION	PT100	
INPUT SIGNAL	Board	
POWER SUPPLY	24, 115, 230 VAC <sup>1</sup> ; 50/60 Hz	
FUSE	0,5 A	
AVERAGE CONSUMPTION	4 W	
CURRENT OUTPUT	Programmable 0/4-20mA (max 500 Ohm) galvanic isolated	
FUNCTIONS	2 Setpoints (Volt-Free Relay Contact) Flow input Conductivity I. probe Temperature probe Programmable 0/4-20mA (max 500 Ohm) galvanic isolated	2 Setpoints (Volt-Free Relay Contact) Flow input Conductivity I. probe Temperature probe Programmable 0/4-20mA (max 500 Ohm) galvanic isolated Alarm Output (Volt-Free Relay Contact) Stand-by Input MODBUS RTU Opto Coupled Pulse Output
ENVIRONMENT TEMPERATURE	0°C ... 50°C (32°F ... 122°F) / 0-95% (non condensing) relative humidity	
PROTECTION	IP40 - on request IP54	
POLLUTION LEVEL	2	
ENCLOSURE MATERIAL	PP	
TEST/CERTIFICATION	CE	
DIMENSIONS	refer to the drawing	
INSTALLATION	rack mounting	