

Reverse osmosis controller, microprocessor based. LCD display.

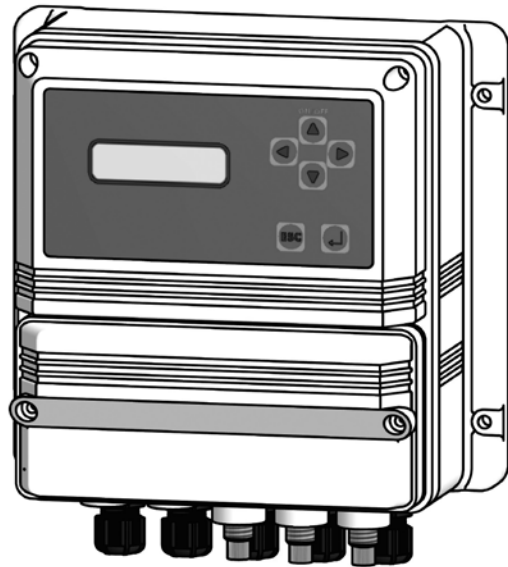
Readings: input and output conductivity; level control for collection tank, min and max pressure, membranes washing control, pressure pump heating control, softener stand-by.

Panel mounting instrument.

Rack mounting version available.

FEATURES

- OSMOSIS pump power supply output
- Dosing pump power supply output
- 3 electrovalves outputs (Input, Output, Bleed)
- 3 alarms outputs - free of voltage version (N.O. / N.C.)
- 2 levels inputs
- 2 HI/LOW pressure inputs
- Dosing alarm input
- Stand-by
- Filter input
- 2 conductivity probes inputs
- Password protected menu access



WORKING MODE: Production & Standby

The instrument controls and drives a reverse osmosis system.

It operates basing on collection tank levels.

In "low" level condition, the instrument starts water production: it opens the input solenoid valve, starts the pump and starts the pressure pump.

To avoid damages, a 3 sec. delay is given after the input solenoid valve opening.

When "high" level is reached, LDOSIN goes in stand-by mode: it stops the pump, the input solenoid valve and the pressure pump.

Water production and stand-by are controlled by levels: low for water production, high for stand-by.

It is possible to set low level (or high level) only or both. If both disabled, osmosis (water production) is always active.

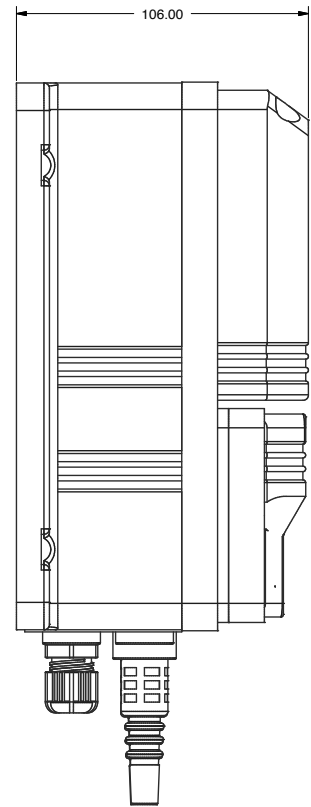
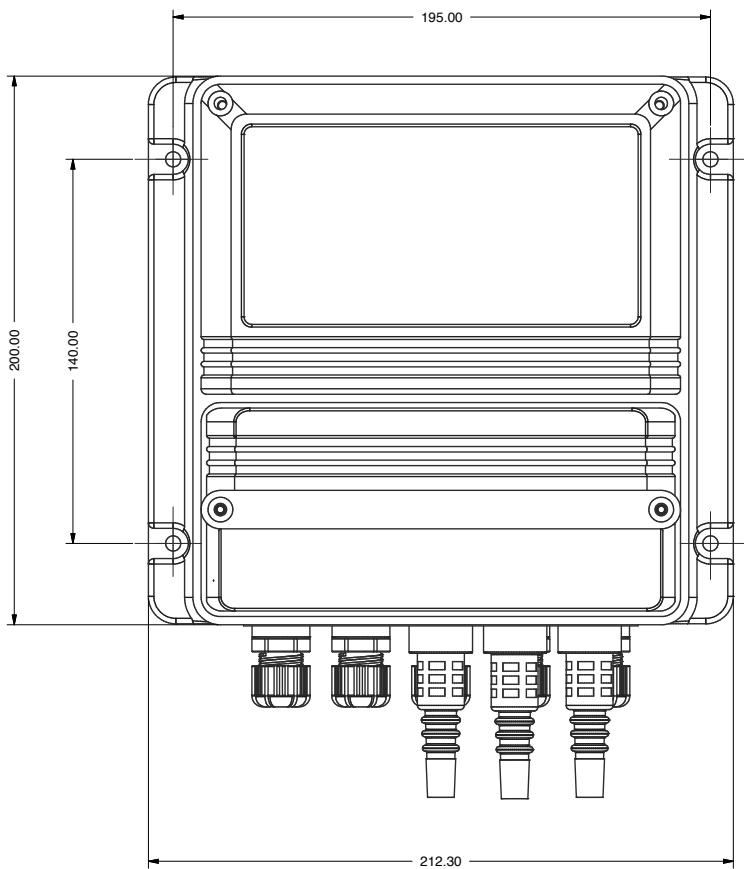
Instrument's modes:

1) WATER PRODUCTION: all outputs active (solenoid valve 1, pump and pressure pump).

2) STAND-BY: all outputs disabled.

3) MEMBRANE WASHING - or M.W. - (to prevent deposits on membrane surface): if enabled in the main menu, a membrane washing can be done at instrument's power on, before/after water production and/or cyclically after a set number of hours.

DIMENSIONS



mm [inches]

HOUSING BOX

IP65 enclosure (NEMA4x)

LD OSIN control instruments are manufactured in ABS housing to ensure protection against aggressive chemicals and tough environment.

ENVIRONMENT

-10°C ÷ 50°C (14°F ÷ 122°F)

0÷95% (non condensing) relative humidity

CONDUCTIVITY WORKING RANGE

Version 1:

input water from 000 to 999 uS

output water from 00.0 to 99.9 uS

Version 1 use Inox K=1 input probe and Inox K=0.1 output probe.

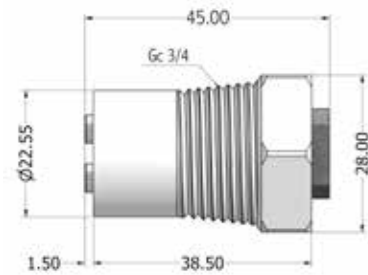
Version 2:

input water from 00.0 to 9.99 mS

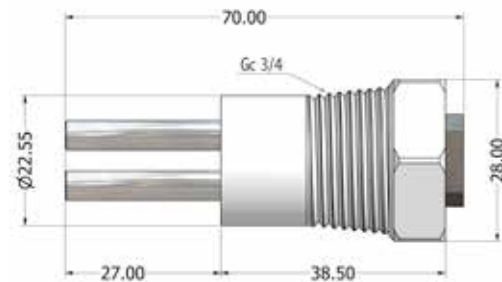
output water from 00.0 to 999 uS

Version 2 use graphite K=1 input and output probes.

PROBES



ECDI/1



ECDI/01

RACK VERSION DIMENSION

Depth 80,00 mm

