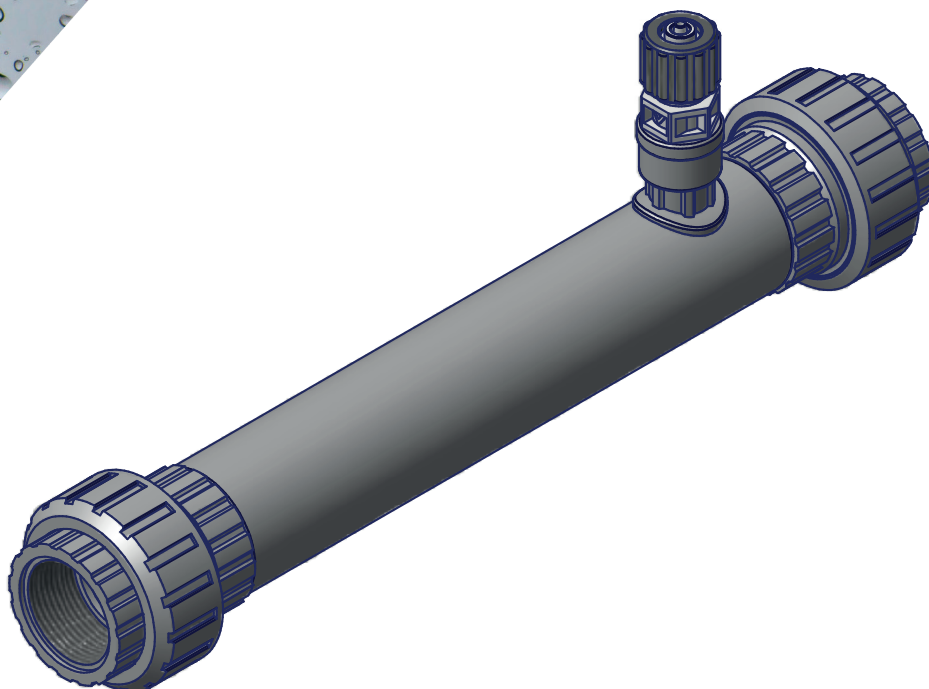


# STATIC MIXER

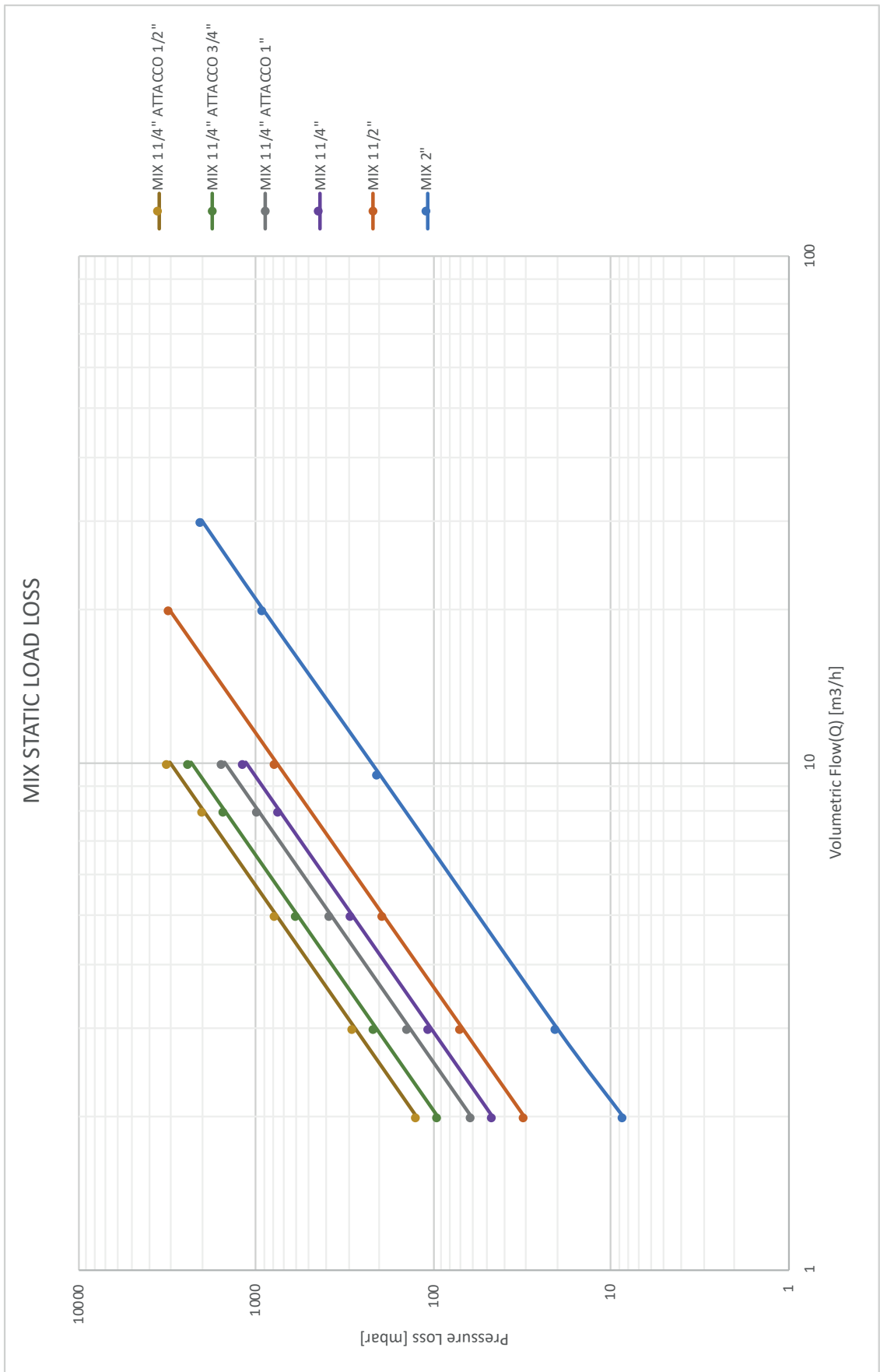


PVC Mixers with Injection Port are designed for blending light-viscosity chemicals into a water stream. Each mixer is constructed in PVC different sizes and it is filled of PP mixing elements. They use Pall rings (diam. 15) mixing elements to minimize pressure loss.

- Excellent static mixing with low pressure drop
- No moving parts
- PVC made
- Filled with PP mixing elements
- Pressure drop: from 0,2 bar for 5 m<sup>3</sup>/h
- 1/2" injection valve - 4x6 / 0,3 bar.
- Max pressure 8 bar.
- Max working temperature 40°C / 104°F

CODE	FITTING SIZE	PRESSURE LOSS	INJECTION VALVE	VISCOSITY	INSPECTIONABLE	BALL RINGS
108.6063.1	G 1 1/4"	0,2 bar for 5 m <sup>3</sup> /h	1/2"	0-200 cPs	-	50 pcs
108.6077.1	G 1 1/4"	0,2 bar for 5 m <sup>3</sup> /h	1/2"	0-200 cPs	x	90 pcs
108.6137.1	G 1/2"	0,2 bar for 5 m <sup>3</sup> /h	1/2"	0-200 cPs	x	90 pcs
108.6199.1	G 2"	0,2 bar for 5 m <sup>3</sup> /h	1/2"	0-200 cPs	x	110 pcs

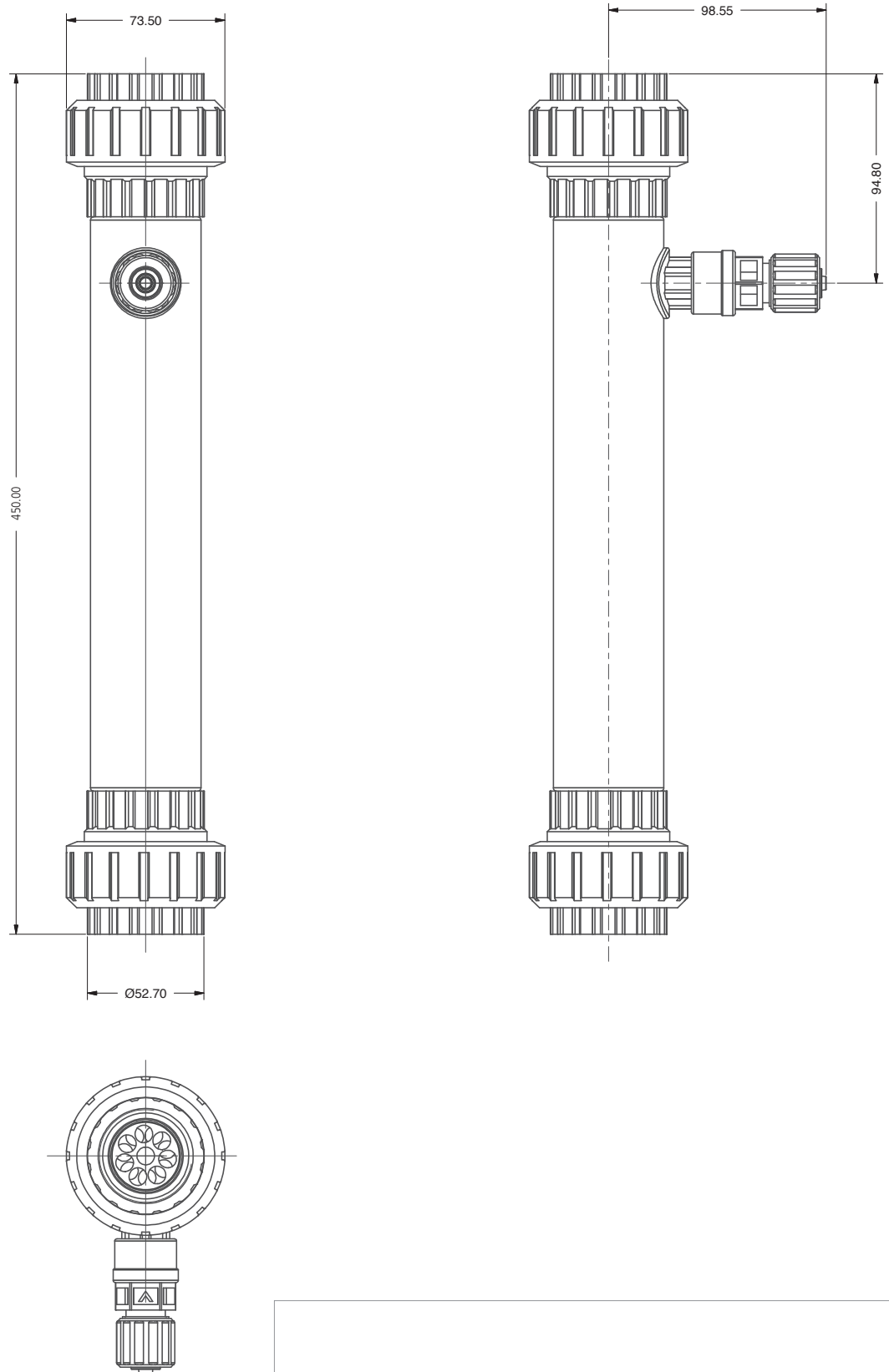
# LOAD LOSS GRAPHS



# DIMENSIONS

## DIMENSIONS 1"

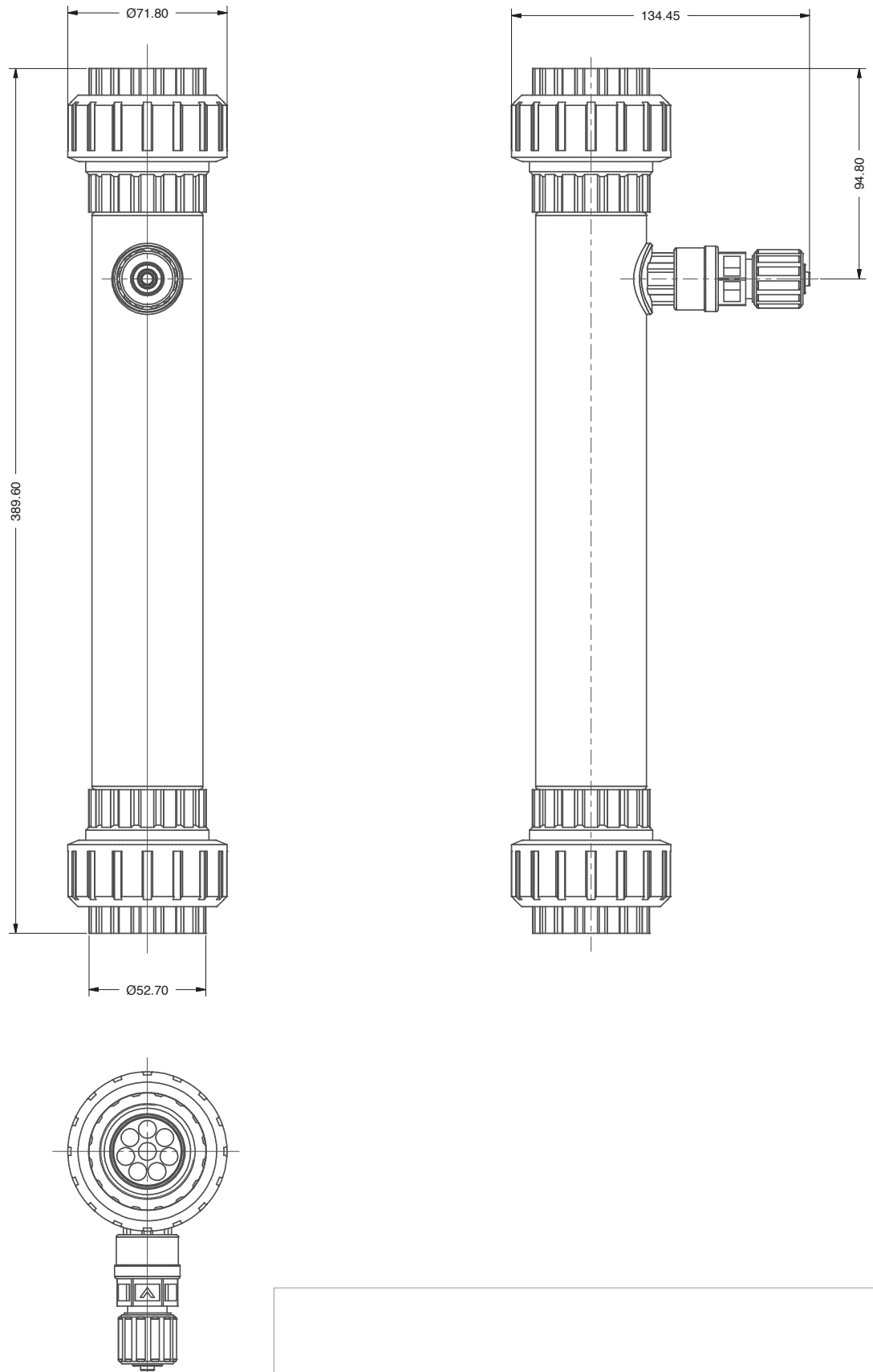
Unit: mm



# DIMENSIONS

## DIMENSIONS 1 1/4"

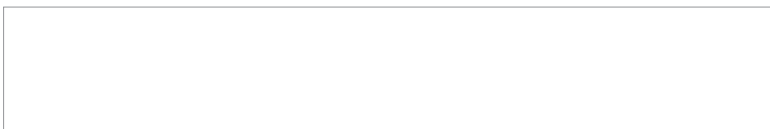
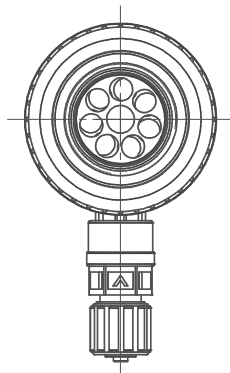
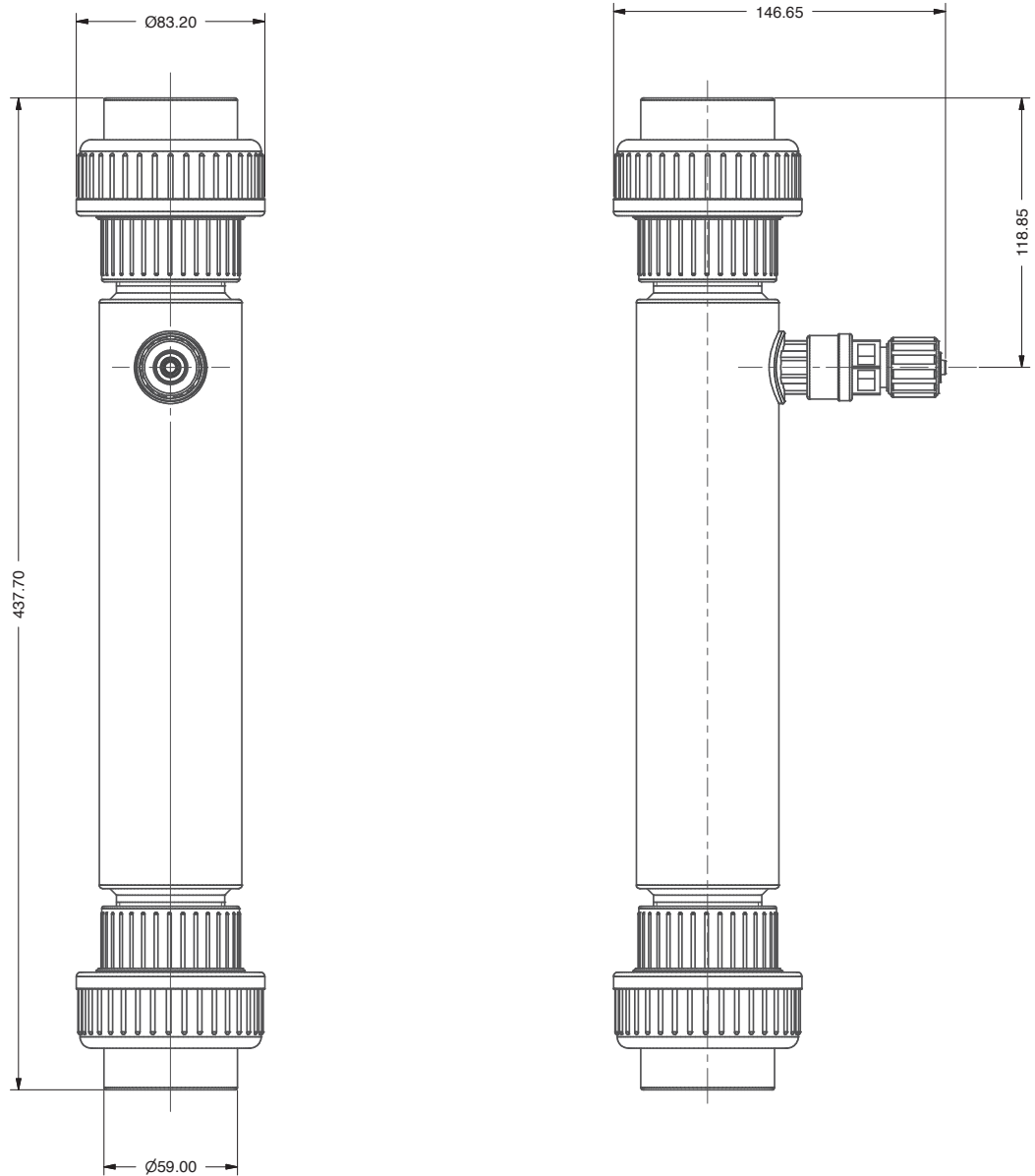
Unit: mm



# DIMENSIONS

## DIMENSIONS 1 1/2"

Unit: mm



**DIMENSIONS 2"**

Unit: mm

