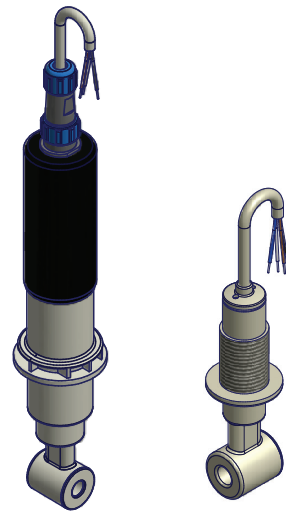


Inductive conductivity probe

FEATURES

- Conductivity measure throughout inductive sensor.
- The inductive sensor design eliminates polarization errors and electrode coating problems that commonly affect conventional conductivity contacting-electrode models.
- PT100 (or NTC or any) temperature compensation.
- High pressure (8 bar) and temperature (up to 85°C) specifications.
- Wide conductivity range (up to 300 mS).

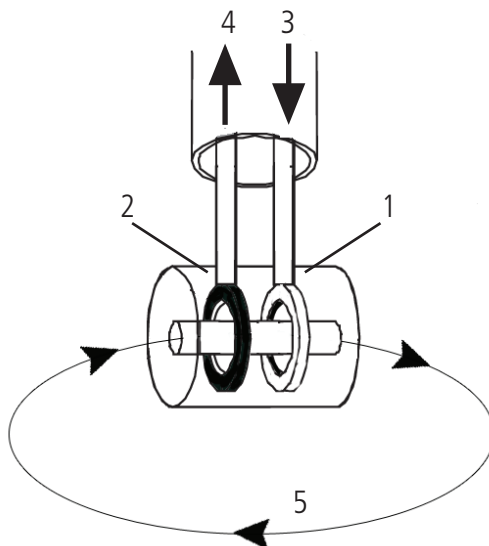


**Inductive conductivity measurement technique: operating principle**

Inductive conductivity sensor induces a low current in a closed loop of solution, then measures the magnitude of this current to determine the solution's conductivity.

The conductivity probe drives Toroid A, inducing an alternating current in the solution. This current signal flows in a closed loop through the sensor bore and surrounding solution.

Toroid B senses the magnitude of the induced current which is proportional to the conductance of the solution.



- 1 - Toroid A
- 2 - Toroid B
- 3 - Alternate current generator
- 4 - Receiver
- 5 - Induced current in the solution

# ECDIND PT - ECDSIND PT

## Inductive conductivity probe

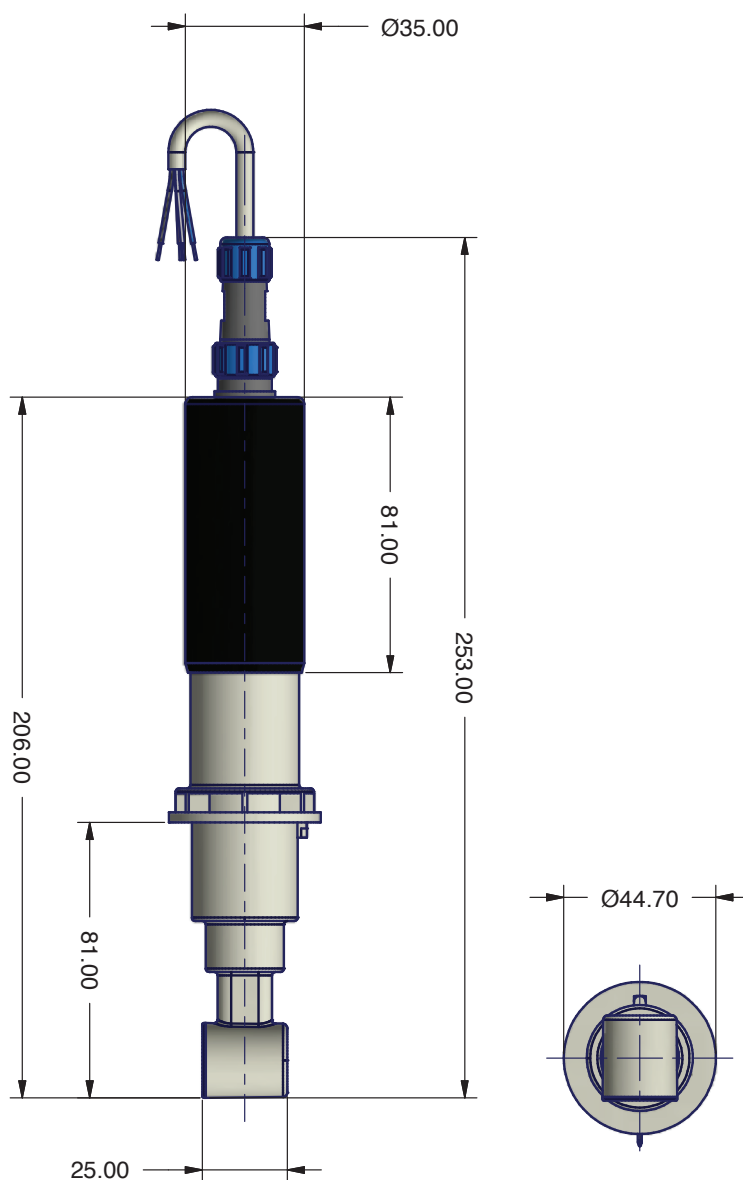
# Data Sheet

### ECDIND PT

Range:	0,1-3 mS; 0,3-10mS; 0,3-300 mS
Analysys system:	inductive
Temperature:	85° C (185°F); 100°C (212°F) in spot measurements
Pressure max:	8 bar (116 PSI)
Cable/connector:	G1 and NPT 3/4"
Cable length:	4 mt
Material:	PEEK
Temperature sensor:	PT100
Probe holder:	PEL-IND; PEL INDC; PEL IND SS; NPED-IND; PEC IND

## DIMENSIONS

expressed in mm



# ECDIND PT - ECDSIND PT

## Inductive conductivity probe

# Data Sheet

### ECDSIND PT

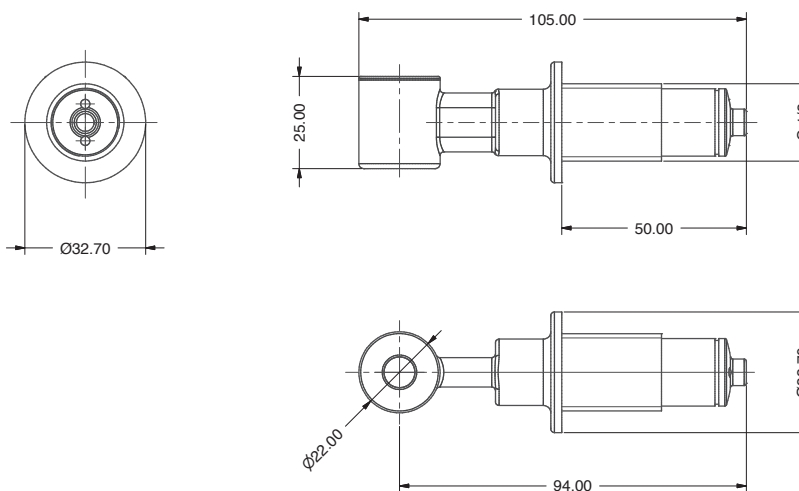
Range:	0,3-30 mS
Analysys system:	inductive
Temperature:	85° C (185°F); 100°C (212°F) in spot measurements
Pressure max:	8 bar (116 PSI)
Cable/connector:	G1 and NPT 3/4"
Cable length:	4 mt
Material:	PEEK
Temperature sensor:	PT100
Probe holder:	NPED-INDS; NPED4-INDS

3

<b>ECDINDPT / ECDSINDPT</b>	300-3000: Zero=250mV (± 100); FS=2900 mV (± 300)	0.9mV/μS;89mV/mS;8.8mV/mS a 25° C
<b>ECDINDPT / ECDSINDPT</b>	300-30000 Zero=250mV (± 100); FS=2900 mV (± 300)	0.9mV/μS;89mV/mS;8.8mV/mS a 25° C
<b>ECDINDPT / ECDSINDPT</b>	300-300000 Zero=250mV (± 100); FS=2900 mV (± 300)	0.9mV/μS;89mV/mS;8.8mV/mS a 25° C

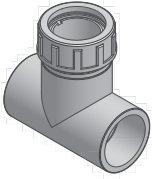
## DIMENSIONS

expressed in mm



Inductive conductivity probe

**PROPER INSTALLATION**



The process flow must be directed through the hole.

The inductive conductivity measurement technique requires a process fluid surrounding the sensor.

