

PIPELINE MANIFOLD

PIPELINE MANIFOLD WITH FLOW SENSOR AND MOTORIZED EV



The pipeline manifold is a hydraulic circuit placed on a panel that standardizes the installation in order to reduce learning, execution and related errors. Therefore, it simplifies and improves the quality of the system to be implemented with a clear reduction in installation costs, due to the individual on-site design with the consequent search for the materials to be used.

Furthermore, the standardized installation homogenises the various systems, facilitating the learning and execution of maintenance.

- › Motorized valve
- › Ball valve water inlet
- › Ball valve water outlet
- › No-return valve
- › Flow sensor
- › 3 injection points
- › Cross connection for conductivity and pH probe (Redox on request)

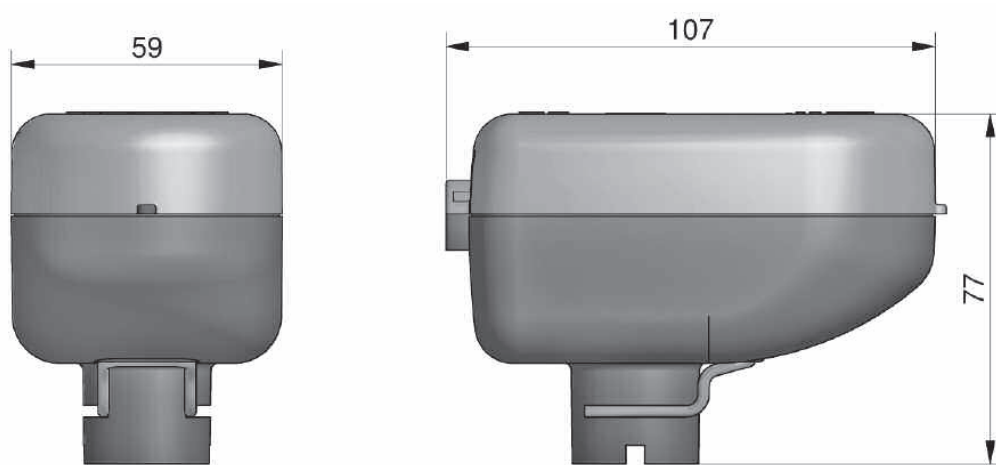
Model	Description	Hose
MANIFOLD/TUBI/EV 1"	Pipeline Manifold 2 points 230vac ecdc	1
MANIFOLD/TUBI/EV 1"	Pipeline Manifold 2 points 230vac ecdind	1
MANIFOLD/TUBI/EV 1-1/2"	Pipeline Manifold 2 points 230vac ecdind	1 1/2"
MANIFOLD/TUBI/EV 1-1/4"	Pipeline Manifold 2 points 230vac ecdind	1 1/4"
MANIFOLD/TUBI/EV 1-1/4"	Pipeline Manifold 2 points 230vac ecdcc	1 1/4"
MANIFOLD/TUBI/EV 2"	Pipeline Manifold 2 points 230vac ecdind	2
MANIFOLD/TUBI/EV 3/4"	Pipeline Manifold 2 points 230vac ecdind	3/4"
MANIFOLD/TUBI/EV 3/4"	Pipeline Manifold 2 points 230vac ecdc	3/4"

ACCESSORIES

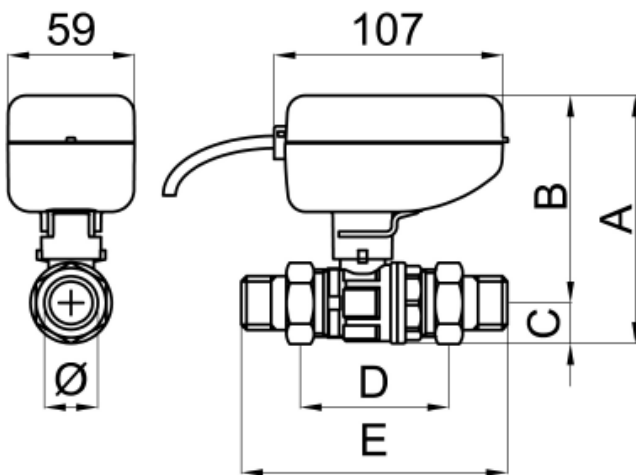
Model	Description
SF/2F	Sf/2f flow sensor 2m x manifold controller
SF/2F	Sf/2f flow sensor 1m x manifold controller
SF/BNC	Sf/bnc flow sensor 2m x manifold
SF/BNC	Sf/bnc flow sensor 1m x manifold
MOTORIZED Electrovalve 1"	MOTORIZED Electrovalve 1" 230vac ip54
MOTORIZED Electrovalve 1" 24VAC	MOTORIZED Electrovalve 1" 24vac ip54
MOTORIZED Electrovalve 1-1/2"	MOTORIZED Electrovalve 1-1/2" 230vac ip54
MOTORIZED Electrovalve 1-1/4"	MOTORIZED Electrovalve 1-1/4" 230vac
MOTORIZED Electrovalve 2"	MOTORIZED Electrovalve 2" 230vac
MOTORIZED Electrovalve 3/4"	MOTORIZED Electrovalve 3/4" 230vac ip54
MOTORIZED Electrovalve 3/4" 24VAC	MOTORIZED Electrovalve 3/4" 24vac ip54

DIMENSIONS OF MOTORIZED ELECTROVALVE (MM)

DIMENSIONS



DIMENSIONS / HOSES



DN	Ø TANG	Ø VALVE BODY	A	B	C	D	E
15	1/2"	3/4"	111	94	17	63	118
20	3/4"	1"	120	100	20	67	128
25	1"	1" 1/4	126	103	23	77	147

DIMENSIONS WITH CONTROLLER (MM)

