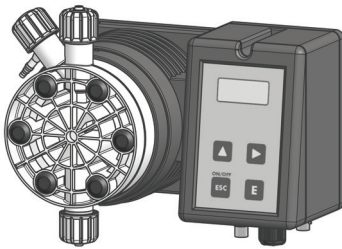


# "TMS" series Metering Pumps

# Data Sheet

## "TMSA Self Venting"



- Wall mounted, with display
- Microprocessor technology
- Manual venting (TMS) or self venting (TMSA) PVDF pump head
- All liquid ends (pump head, injection valve, foot filter, delivery hose) are in PVDF

Power supply: 230 VAC (190-265 VAC) - 50/60 Hz  
 115 VAC (90-135 VAC) - 50/60 Hz  
 24 VAC (20-32 VAC) - 50/60 Hz  
 24 VDC (20-32 VDC)  
 12 VDC (10-16 VDC)



Pump Strokes: 0-120  
 Environment Temperature: 0-45°C (32-113°F)  
 Chemical Temperature: 0-50°C (32-122°F)  
 Packaging and Transporting Temperature: -10-50°C  
 Installation Class: II  
 Pollution Level: 2  
 Audible Noise: 62,0 db(A)  
 Protection Degree Rating: IP 65 (% working RU: 85% T<=40°C; 70% T=50°C - condensing water)  
 without  
 Max altitude: 2000 m

## Configuration code

MODELS			
TMS Code	TMSA Code	MOD.	DESCRIPTION
MF	FF	MF	Digital multifunction pump (Constant, Divide, Multiply, PPM, Batch, Volt, mA, %, ml/q), stand-by and flow sensor input, alarm output and level control. Recovery fault mode, work-pause mode and upkeep mode.
DC	AD	DC	Digital constant pump, stand-by input and alarm output and level control.
PH	AH	PH	Proportional pump driven by internal built-in pH meter (0-14 pH) and level control, supplied without pH probe.
RH	AR	RH	Proportional pump driven by internal built-in ORP meter (0-1000 mV) and level control, supplied without ORP probe.

CAPACITIES					
TMS Models			Delivey hose (PVDF)	Suction hose	Pump head mod.
2005	5 l/h at 20 bar	1.32 GPH at 290 PSI	4 x 6	4 x 6	L
1207	7 l/h at 12 bar	3.96 GPH at 73 PSI	6 x 8	6 x 8	N
0515	15 l/h at 5 bar	3.96 GPH at 73 PSI	6 x 8	6 x 8	N
0420	20 l/h at 4 bar	5.28 GPH at 58 PSI	6 x 8	6 x 8	N
0330	30 l/h at 3 bar	1.32 GPH at 43 PSI	8 x 10	8 x 12	S
0150	50 l/h at 1 bar	1.32 GPH at 15 PSI	8 x 10	8 x 12	S
00100	100 l/h at 0 bar	26.4 GPH at 0 PSI	12 x 18 PVC reinforced	12 x 18 PVC reinforced	T
TMSA Models			Delivey hose (PVDF)	Suction hose	Pump head mod.
203,2	3,2 l/h at 20 bar	0.85 GPH at 290 PSI	4 x 6	4 x 6	LA
0510	10 l/h at 5 bar	2.64 GPH at 73 PSI	6 x 8	6 x 8	NA
0413	13 l/h at 4 bar	3.43 GPH at 58 PSI	6 x 8	6 x 8	NA
0320	20 l/h at 3 bar	5,28 GPH at 43,5 PSI	8 x 10	8 x 12	SA
0135	35 l/h at 1 bar	9,24 GPH at 14,5 PSI	8 x 10	8 x 12	SA

Model T MF 2005 K 00 00

LIQUID ENDS								
	HEAD	ORINGS	VALVE		DIAPHRAGM	HOSES <sup>1</sup>		VISCOSITY Max CPS
			Body	Balls		Delivery	Suction	
K	PVDF	FKM B	PVDF	Ceramic	PTFE	PVDF	PVC	100
P	PVDF	EPDM	PVDF	Ceramic	PTFE	PVDF	PVC	100
Y	PVDF	Nytrile	PVDF	Ceramic	PTFE	PVDF	PVC	100
V	PP	FKM B	PP	Ceramic	PTFE	PVDF	PVC	100
D	PP	EPDM	PP	Ceramic	PTFE	PE	PVC	100
W	PP	Nytrile	PP	Ceramic	PTFE	PE	PVC	100
J	PVDF	FKM B + PTFE	PVDF	Ceramic	PTFE	PVDF	PVC	100
A	Acrylic	FKM B	PVDF	Ceramic	PTFE	PVDF	PVC	100
Z	SS	FKM B	SS	SS	PTFE	N/A	N/A	100
\$	Acrylic	FKM B	PP	SS + Hastelloy spring	PTFE	PE	PVC	8000 <sup>2</sup>

<sup>1</sup> Size may be different from standard.

<sup>2</sup> Using high viscosity pump head mod. \$ pump output may result lower in some applications.

POWER SUPPLY	
00	230 VAC Schuko plug
05	230 VAC australian plug
01	230 VAC without plug
03	115 VAC US plug
04	24 VAC without plug
05	12 VDC *
07	24 VDC

\* On some models only.

# "TMS" series Metering Pumps

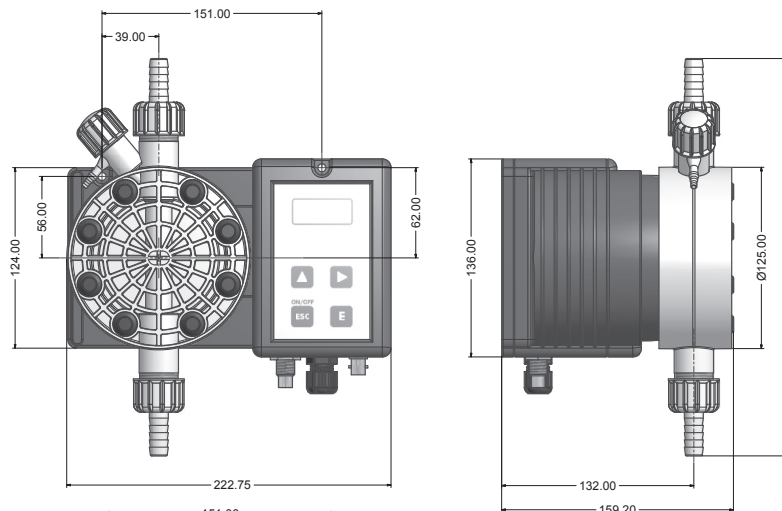
# Data Sheet

## "TMSA Self Venting"

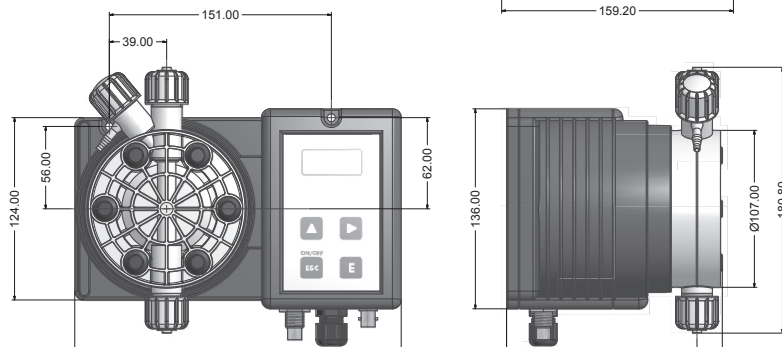
INFORMATION						
TMS	Strokes speed		Power consumption at max flow (230 VAC)	Power consumption at max flow (115 VAC)	Power consumption at max flow (24 VAC/VDC)	Weight
	min	max				
	imp/hour	imp/min				
2005	1	120	27 Watt	21 Watt	n/a	5,7 Kg (12,6 Lbs)
0515	1	120	27 Watt	15 Watt	14 Watt	
0420	1	120	27 Watt	21 Watt	n/a	
0330	1	120	27 Watt	21 Watt	n/a	
0150	1	120	27 Watt	21 Watt	n/a	
00100	1	120	27 Watt	21 Watt	n/a	
TMSA	Strokes speed		Power consumption at max flow (230 VAC)	Power consumption at max flow (115 VAC)	Power consumption at max flow (24 VAC/VDC)	Weight
	min	max				
	imp/hour	imp/min				
203,2	1	120	27 Watt	21 Watt	n/a	5,7 Kg (12,6 Lbs)
0510	1	120	27 Watt	15 Watt	14 Watt	
0413	1	120	27 Watt	21 Watt	n/a	
0320	1	120	27 Watt	21 Watt	n/a	
0135	1	120	27 Watt	21 Watt	n/a	

MORE INFORMATION						
TMS	Flow			cc per Stroke	Max injection pressure	
	min cc/h	max l/h	Max GPH		Max	bar
	2005	0,7	5	1.32	0,7	20
0515	2,1	15	3.96	2,1	5	73
0420	2,8	20	5.28	2,8	4	58
0330	4,2	30	7.93	4,2	3	43
0150	7	50	13.2	7	1	15
00100	14	100	26.4	14	0	0
TMSA	Flow			cc per Stroke	Max injection pressure	
	min cc/h	max l/h	Max GPH		Max	bar
	203,2	0,44	3,2	0.85	0,44	20
0510	1,39	10	2.64	1,39	5	73
0413	1,80	13	3.43	1,80	4	58
0320	1,85	20	5.28	1,85	3	43,5
0135	3,24	35	9,24	3,24	1	14,5

"S" - "T" PUMP HEAD



"N" - "P" PUMP HEAD



Measurement unit: mm