

# CONDUCTIVITY PROBES HIGH LINEARITY

Data Sheet

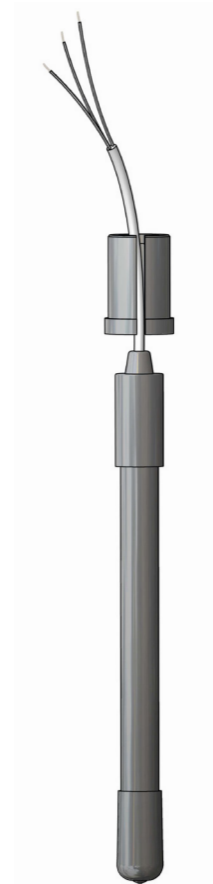
## HIGH LINEARITY CONDUCTIVITY PROBES

High linearity conductivity electrodes with EPOXY body. They perform an accurate and reliable operativity into chemical environment.

These electrodes are made for an easy maintenance, accurate reading and fast response.

Max 7 bar@70°C

K: 0.1 - 1 - 10



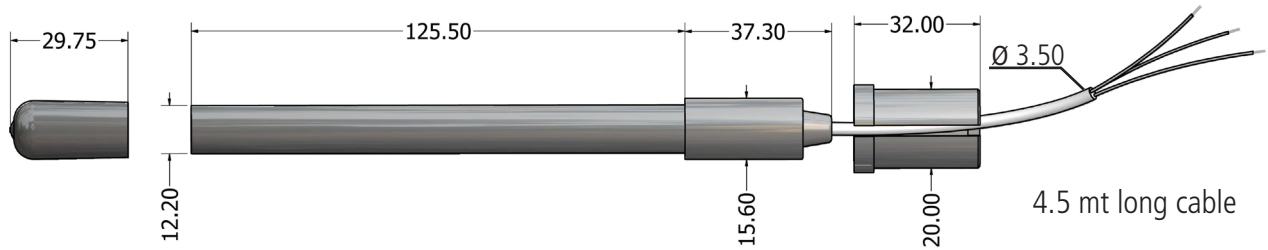
## MODELS

|                           | ECDHL/01        | ECDHL/1         | ECDHL/10        | ECDHLC/01       | ECDHLC/1        | ECDHLC/10       | ECDHLCPT/01     | ECDHLCPT/1   | ECDHLCPT/10     |
|---------------------------|-----------------|-----------------|-----------------|-----------------|-----------------|-----------------|-----------------|--------------|-----------------|
| Measuring Range           | 0-200 µS        | 0,2-20 mS       | 20-200 mS       | 0-200 µS        | 0,2-20 mS       | 20-200 mS       | 0-200 µS        | 0,2-20 mS    | 20-200 mS       |
| K Factor                  | 0,1             | 1               | 10              | 0,1             | 1               | 10              | 0,1             | 1            | 10              |
| Max pressure<br>Max temp. | 7 bar @<br>70°C | 7 bar @<br>70°C | 7 bar @<br>70°C | 7 bar @<br>70°C | 7 bar @<br>70°C | 7 bar @<br>70°C | 7 bar @<br>70°C | 7 bar @ 70°C | 7 bar @<br>70°C |
| Body                      | EPOXY           | EPOXY           | EPOXY           | EPOXY           | EPOXY           | EPOXY           | EPOXY           | EPOXY        | EPOXY           |
| Electrodes                | Platinum        | Platinum        | Platinum        | Platinum        | Platinum        | Platinum        | Platinum        | Platinum     | Platinum        |
| Cable length              | 5 m             | 5 m             | 5 m             | 5 m             | 5 m             | 5 m             | 5 m             | 5 m          | 5 m             |
| Temperature compensator   | -               | -               | -               | NTC 10K         | NTC 10K         | NTC 10K         | PT 100          | PT 100       | PT 100          |

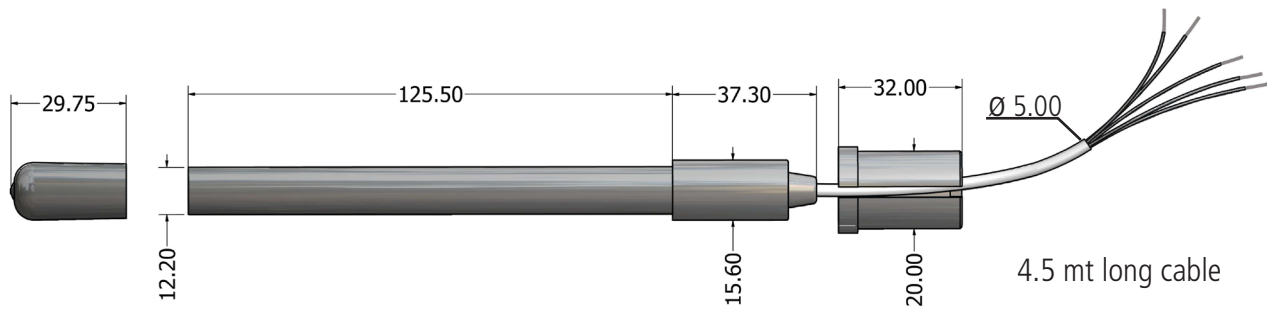
# CONDUCTIVITY PROBES HIGH LINEARITY

Data Sheet

## ECDHL/xx



## ECDHLC/xx



| COMPENSATION | C A B L E   |            | WIRES SIZE |
|--------------|-------------|------------|------------|
| N/A          | RED         | ELECTRODES | 2 x 0.50   |
|              | BLACK       |            |            |
|              | GROUND      | GROUND     |            |
| NTC 10K      | RED         | ELECTRODES | 2 x 0.50   |
|              | BLACK       |            |            |
|              | GROUND      | GROUND     | 2 x 0.50   |
|              | WHITE-GREEN | NTC 10K    |            |
| PT 100       | RED         | ELECTRODES | 2 x 0.50   |
|              | BLACK       |            |            |
|              | GROUND      | GROUND     | 2 x 0.50   |
|              | WHITE-GREEN | PT 100     |            |