

# CONDUCTIVITY PROBES GRAPHITE ELECTRODES (R 3/4" - G 1/2")

Data Sheet

## GRAPHITE CONDUCTIVITY PROBES

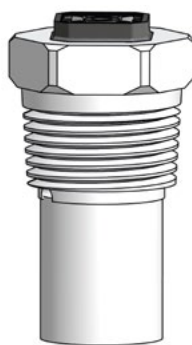
Graphite conductivity electrodes with PVDF body are the ideal complement for EMEC controllers. They perform an accurate and reliable operativity into chemical environment. These electrodes are made for an easy maintenance, accurate reading and fast response.

R21024

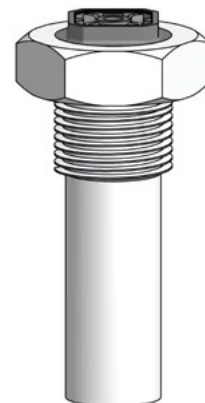
Max	7 bar 60°C
K	1-10



ECDC/K1  
ECDCC/K1  
ECDCCPT/K1



ECDC/K10  
ECDCC/K10  
ECDCCPT/K10



ECDCCM/K1  
ECDCCM/K1  
ECDCCMPT/K1

## MODELS

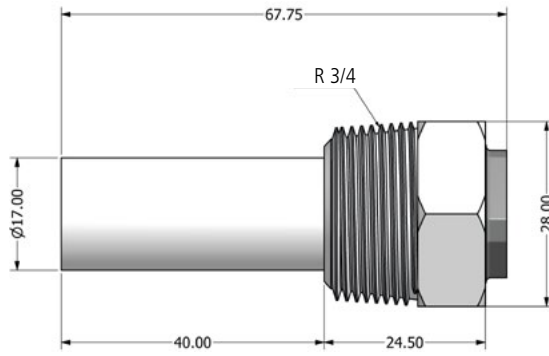
	ECDC/1	ECDC/10	ECDCC/1	ECDCC/10	ECDCCPT/1	ECDCCPT/10
Working Range	0÷20 mS	0÷200 mS	0÷20 mS	0÷200 mS	0÷20 mS	0÷200 mS
"K" Factor	1	10	1	10	1	10
Max temp. pressure	7 bar/60°C (2 bar/100°C)	7 bar/60°C (2 bar/100°C)	7 bar/60°C (2 bar/100°C)	7 bar/60°C (2 bar/100°C)	7 bar/60°C (2 bar/100°C)	7 bar/60°C (2 bar/100°C)
Body	PVDF	PVDF	PVDF	PVDF	PVDF	PVDF
Electrodes	Graphite	Graphite	Graphite	Graphite	Graphite	Graphite
Diameter	R 3/4"	R 3/4"	R 3/4"	R 3/4"	R 3/4"	R 3/4"
Cable Length	4 mt	4 mt	4 mt	4 mt	4 mt	4 mt
Temperature Compensator	N/A	N/A	NTC 10K	NTC 10K	PT100	PT100

	ECDCCM/1	ECDCCM/10	ECDCCMPT/1
Working Range	0÷20 mS	0÷200 mS	0÷20 mS
"K" Factor	1	10	1
Max temp. pressure	7 bar/60°C (2 bar/100°C)	7 bar/60°C (2 bar/100°C)	7 bar/60°C (2 bar/100°C)
Body	PVDF	PVDF	PVDF
Electrodes	Graphite	Graphite	Graphite
Diameter	G 1/2"	G 1/2"	G 1/2"
Cable Length	4 mt	4 mt	4 mt
Temperature Compensator	N/A	NTC 1'K	PT 100

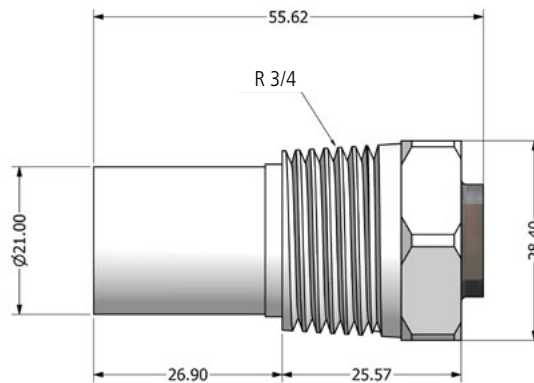
# CONDUCTIVITY PROBES

## GRAPHITE ELECTRODES (R 3/4" - G 1/2")

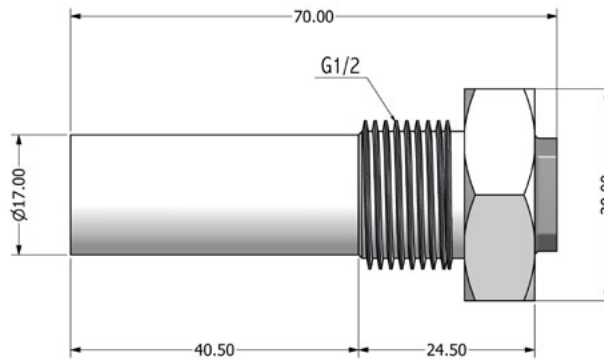
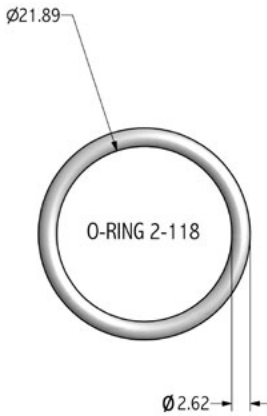
Data Sheet



ECDC/K1  
ECDC/K1  
ECDCPT/K1



ECDC/K10  
ECDC/K10  
ECDCPT/K10



ECDCM/K1  
ECDCM/K1  
ECDCMPT/K1

Connection cable

COMPENSATION	CABLE		WIRES SIZE
N/A	RED	ELECTRODES	4 x 0.14
	BLACK		
	GROUND	GROUND	
NTC 10K	RED	ELECTRODES	4 x 0.14
	BLACK	NTC 10K	
	WHITE		
	GREEN		
PT 100	RED	ELECTRODES	2 x 0.50
	BLACK	GROUND	4 x 0.22
	BLUE		
	GREEN	PT 100	
	BROWN		
	YELLOW-WHITE		