

# PRIUS P



PP PUMP HEAD



SS PUMP HEAD

MOTOR DRIVEN PLUNGER METERING PUMP

EN

OPERATING MANUAL



THIS OPERATING INSTRUCTIONS CONTAINS SAFETY INFORMATION THAT IF IGNORED CAN ENDANGER LIFE OR RESULT IN SERIOUS INJURY.

READ THESE INSTRUCTIONS **CAREFULLY** BEFORE USE AND KEEP THEM FOR FUTURE REFERENCE. THE ORIGINAL INSTRUCTION IS IN ENGLISH. INFORMATION AND SPECIFICATIONS ON THIS MANUAL COULD BE UNCORRECT OR COULD HAVE PRINTING ERRORS. SPECIFICATIONS ARE SUBJECT TO CHANGE WITHOUT NOTICE.

Version: R1-03-17



---

**NORME CE**  
**EC RULES (STANDARD EC)**  
**NORMAS DE LA CE**

Direttiva Bassa Tensione  
Low Voltage Directive  
Directiva de baja tensión } **2014/35/UE**

Direttiva EMC Compatibilità Elettromagnetica  
EMC electromagnetic compatibility directive  
EMC directiva de compatibilidad electromagnética } **2014/30/UE**

Norme armonizzate europee nell'ambito della direttiva  
European harmonized standards underdirective  
Las normas europeas armonizadas conforme a la directiva } **2006/42/CE**

## SUMMARY

GENERAL SAFETY GUIDELINES.....	4
1. DESCRIPTION.....	5
1.1 PRIUS Series.....	5
1.3 Features.....	8
1.3.1 PLUNGER.....	9
2. INSTALLATION.....	12
2.1 Installation warning.....	12
2.2 Commissioning steps.....	13
2.2.1 Pump location.....	13
2.2.2 Oil filling.....	13
2.2.3 Piping connection.....	14
2.2.4 Pump head.....	14
2.2.5 Foot filter.....	14
2.2.6 Installation drawings.....	15
3. ELECTRICAL WIRING.....	16
3.1 Preliminary checks.....	16
3.2 Connection diagrams.....	16
4. START UP 18.....	
4.1 Start up.....	18
5. PRIMING 19.....	
5.1 How to prime the pump.....	19
6. MAINTENANCE.....	20
6.1 Maintenance schedule.....	20
6.2 Maintenance inspection.....	20
6.3 Shutdown.....	21
7. TROUBLESHOOTING.....	22
7.1 Repair service.....	22
8. COMPATIBILITY TABLE.....	23
8.1 Chemical compatibility table.....	23
8.2 Materials.....	23

### Figures

Fig. 1. PRIUS P pump.....	7
Fig. 2. Installation drawings.....	15

### Tables

Tab. 1. Capacity.....	8
Tab. 2. PRIUS P - PP pump head.....	10
Tab. 3. PRIUS P - SS pump head.....	11
Tab. 4. Acceptable oil for lubricating.....	13
Tab. 5. Guide to troubleshooting.....	22
Tab. 6. Chemical compatibility table.....	23

## GENERAL SAFETY GUIDELINES

Operating, installing, or maintaining the unit in any way that is not covered in this manual could cause death, serious personal injury, or damage to the equipment.

### ICON

This manual use the following safety message icon:



#### **Danger!**

Indicates a hazardous situation which, if not avoided, will result in death or serious injury.



#### **Warning!**

Indicates a hazardous situation which, if not avoided, could result in death or serious injury



**Important** - A practice not related to personal injury or additional information.

### METERING PUMP IS INTENDED FOR CHEMICAL DOSING.



**Use of this pump with radioactive chemicals is FORBIDDEN!**



**Keep the pump protected from sun and water. Avoid water splashes.**



**In EMERGENCIAS the pump should be switched off immediately! Disconnect the power cable from the power supply!**



**When using pump with aggressive chemicals observe the regulations concerning the transport and storage of aggressive fluids!**



**Adequate measures shall be taken to prevent cross connection of chemicals!**



**Chemical feeding must be stopped during BACKWASH CYCLES AND PERIODS OF NOFLOW as these conditions may introduce the potential for chemical OVERDOSING. Not doing so may result in elevated chemical concentrations and hazardous gas introduction into the piping, pool or spa.**



**Never operate any pumping system with a BLOCKED SUCTION AND DISCHARGE. You must take all necessary measures to avoid this condition.**



**When installing always observe national regulations!**



**Manufacturer is not liable for any unauthorized use or misuse of this product that may cause injury, damage to persons or materials.**



**Pump must be accessible at all times for both operating and servicing. Access must not be obstructed in any way!**



**Feeder should be interlocked with a no-flow protection device to automatically shut-off the pumps when there is no flow!**



**Pump and accessories must be serviced and repaired by QUALIFIED AND AUTHORIZED PERSONNEL ONLY!**



**Before any operation:**

- always read chemical Material Safety Data Sheet (MSDS);
- always wear protective clothing;
- always discharge the liquid end before servicing the pump!
- empty and rinse the liquid end before work on a pump which has been used with hazardous or unknown chemicals!

## 1. DESCRIPTION

### 1.1 PRIUS Series

PRIUS series is a motor-driven plunger series pumps with spring return mechanism.

The plunger produces the flow thanks to the suction and delivery valves on the pump head

PRIUS is a constant dosing pump.

Flow rate is determined by the stroke length. The stroke length is adjustable from 0 to 100% using the stroke length adjustment knob.

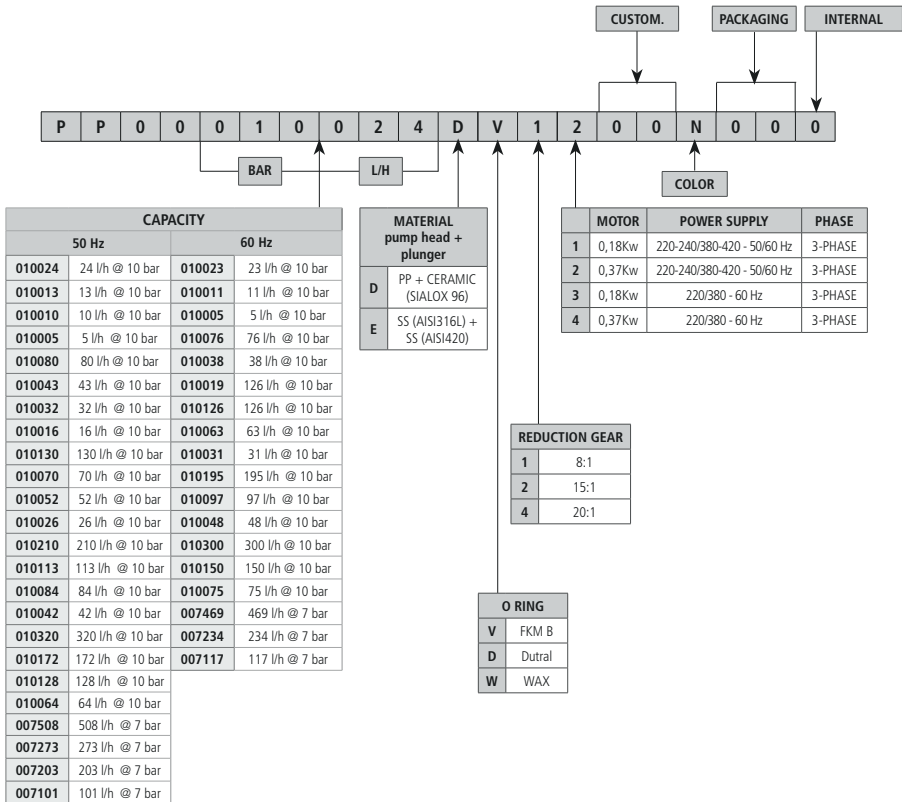


**Some functions described into this manual may need accessories not included into the pump packaging.**



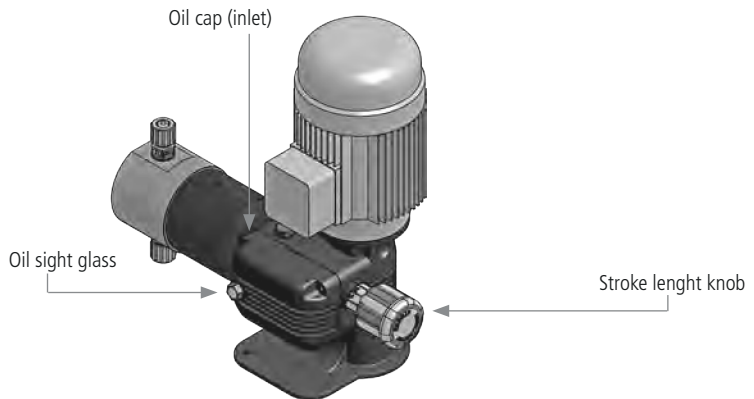
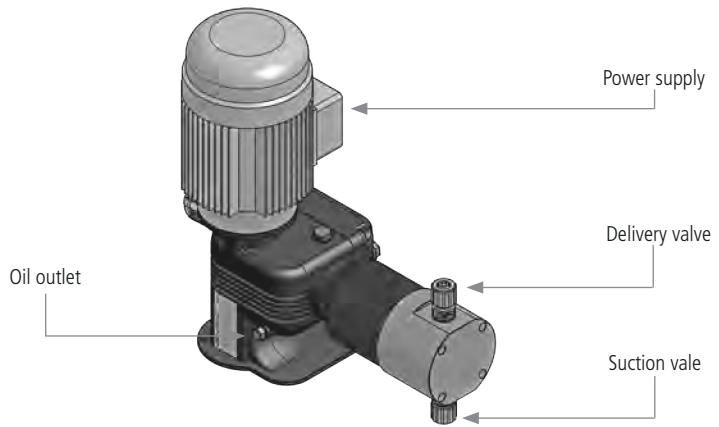
**PLEASE DO NOT TRASH PACKAGING. IT CAN BE USED TO RETURN THE PUMP.**

## 1.2 Identification Code



LUBRICANT TYPE	
BRAND	MODEL
MOBIL	MOBILGEAR 632
SHELL	OMALA OIL 320
BP	ENERGOL GR-XP 320
IP	MELLANA OIL 320
ESSO	SPARTAN EP 320
AGIP	BLASIA 320

Fig. 1. PRIUS P pump



**1.3 Features**

Power supply..... 220-240/380-420 V - 50 Hz 3-PHASE  
 ..... 220/380 V - 60 Hz 3-PHASE

Aluminium enclosure (epoxy coating)  
 Ceramic (SIALOX96 ) or stainless steel (AISI420) plunger

Environment temperature: -10 ÷ 40°C (14 ÷ 104°F)  
 Chemical temperature with SS pump head: -10 ÷ 90°C (14 ÷ 194°F)\*  
 Chemical temperature with PP pump head: -10 ÷ 40°C (14 ÷ 104°F)

Installation class .....II  
 Pollution level .....2  
 Audible noise .....78 dbA (± 5 dB)  
 Protection degree.....IP 55  
 Max suction height.....3 m  
 Oil capacity .....0,3 lt (Refer to "Lubricant type" table)  
 Dosing accuracy .....± 5% at rated pressure.

\* The specified temperature can be exceeded temporarily (max 15') for sterilization or flushing with hot water.

Tab. 7. Reduction factor for different site altitudes.

Site altitude above sea level m	Site altitude above sea level coolant temperature		
	<30 °C	30 °C ... 40 °C	45 °C
1000	1,07	1	0,96
1500	1,04	0,97	0,93
2000	1	0,94	0,9
2500	0,96	0,9	0,86
3000	0,92	0,86	0,82
3500	0,88	0,82	0,79
4500	0,82	0,77	0,74



### 1.3.1 PLUNGER

Prius P plunger pumps.

Material: ceramic (SIALOX96) or Stainless Steel (AISI420)

Lengths available: 14, 25, 32, 40, 50.

Tab. 8. PRIUS P - PP pump head

PRIUS P 50 Hz								
stroke length	PLUNGER diam. (mm)	PRIUS P 50 Hz	Stroke/1'	Pressure bar	Capacity l/h	Motor	HOSES CONNECTION	INSTALLATION KIT
							PP	
15 mm	14	010024	175	10	24	0,18 kW	G1/2" 12x18	A
		010013	94		13			
		010010	70		10			
		010005	35		5			
	25	010080	175	10	80	0,18 kW	G1/2" 12x18	A
		010043	94		43			
		010032	70		32			
		010016	35		16			
	32	010130	175	10	130	0,18 kW	G1/2" 12x18	A
		010070	94		70			
		010052	70		52			
		010026	35		26			
	40	010210	175	10	210	0,37 kW	G3/4" d.i. 18 mm	B
		010113	94		113			
		010084	70		84			
		010042	35		42			
	50	010320	175	10	320	0,37 kW	G3/4" d.i. 18 mm	B
		010172	94		172			
		010128	70		128			
		010064	35		64			

Tab. 9. PRIUS P - SS pump head

PRIUS P 50 Hz							
stroke length	PLUNGER diam. (mm)	PRIUS P 50 Hz	Stroke/1'	Pressure bar	Capacity l/h	Motor	HOSES CONNECTION
							SS
15 mm	14	010024	175	10	24	0,18 kW	R1/2"
		010013	94		13		
		010010	70		10		
		010005	35		5		
	25	010080	175	10	80	0,18 kW	R1/2"
		010043	94		43		
		010032	70		32		
		010016	35		16		
	32	010130	175	10	130	0,18 kW	R1/2"
		010070	94		70		
		010052	70		52		
		010026	35		26		
	40	010210	175	10	210	0,37 kW	R3/4"
		010113	94		113		
		010084	70		84		
		010042	35		42		
	50	010320	175	10	320	0,37 kW	R3/4"
		010172	94		172		
		010128	70		128		
		010064	35		64		
63	007508	175	7	508	0,55 kW	R1"	
	007273	94		273	0,37 kW		
	007203	70		203			
	007101	35		101			

**PRIUS P WITH PP PUMP HEAD AND CERAMIC PLUNGER**  
**60 HZ / 3-PHASE MOTOR**

PRIUS P 60 Hz								
stroke length	PLUNGER diam. (mm)	PRIUS P 60 Hz	Stroke/1'	Pressure bar	Capacity l/h	Motor	HOSES CONNECTION	INSTALLATION KIT
							PP	
15 mm	14	010023	175	10	23	0,18 kW	G1/2" 12x18	A
		010011	87		11			
		010005	44		5			
	25	010076	175	10	76	0,18 kW	G1/2" 12x18	A
		010038	87		38			
		010019	44		19			
	32	010126	175	10	126	0,18 kW	G1/2" 12x18	A
		010063	87		63			
		010031	44		31			
	40	010195	175	10	195	0,37 kW	G3/4" d.i. 18 mm	B
		010097	87		97			
		010048	44		48			
	50	010300	175	10	300	0,37 kW	G3/4" d.i. 18 mm	B
		010150	87		150			
		010075	44		75			

**PRIUS P WITH SS PUMP HEAD AND PLUNGER**  
**60 HZ / 3-PHASE MOTOR**

PRIUS P 60 Hz								
stroke length	PLUNGER diam. (mm)	PRIUS P 60 Hz	Stroke/1'	Pressure bar	Capacity l/h	Motor	HOSES CONNECTION	
							SS	
15 mm	14	010023	175	10	23	0,18 kW	R1/2"	
		010011	87		11			
		010005	44		5			
	25	010076	175	10	76	0,18 kW	R1/2"	
		010038	87		38			
		010019	44		19			
	32	010126	175	10	126	0,18 kW	R1/2"	
		010063	87		63			
		010031	44		31			
	40	010195	175	10	195	0,37 kW	R3/4"	
		010097	87		97			
		010048	44		48			
	50	010300	175	10	300	0,37 kW	R3/4"	
		010150	87		150			
		010075	44		75			
	63	007469	175	7	469	0,55 kW	R1"	
		007234	87		234	0,37 kW		
		007117	44		117			

## 2. INSTALLATION

### 2.1 Installation warnings

Before start installation, the operator must be aware of safety precautions to prevent physical injury.

#### OPERATOR PROTECTION

Use safety equipment according to the company regulations.

Use this safety equipment within the work area during installation, service and when handling chemicals:

- protective mask
- protective gloves
- safety goggles
- ear plugs or hear muffs
- further security device, if necessary.

#### POWER SUPPLY DISCONNECTION

Always disconnect power to the motor before you perform any installation or maintenance tasks. Failure to disconnect power will result in serious physical injury.

#### INSTALLATION PUMP GUIDELINES

Install the pump

- in a safety place and fixed to the table / wall to avoid vibration problems;
- in an easy accessible place;
- in horizontal position.

Use only hoses compatibles with product to dose.

See "8.1 Chemical compatibility table" page 24.

If dosing product is not listed please consult full compatibility table or contact chemical's manufacturer.

## 2.2 Commissioning steps

5 steps of installation procedure:

1. Pump location
2. Oil filling
3. Piping connection
4. Electric wiring
5. Start-up

### 2.2.1 Pump location

Pump must be installed on a flat base at max **3 m** height from tank's bottom. Fasten the pump by clamping screws.

**i** Injection point must be higher of tank to avoid accidental chemical injection.

Otherwise, connect a **multifunction valve** on delivery pipeline.

### 2.2.2 Oil filling

**i** **Pumps are shipped WITH OIL AND WITH A BLIND CAP.**  
**At the job site you must replace the blind cap with the one supplied.**  
**KEEP THE BLIND CAP for further shipping.**

Fill the oil reservoir through oil inlet ("Fig. 2. Oil filling").

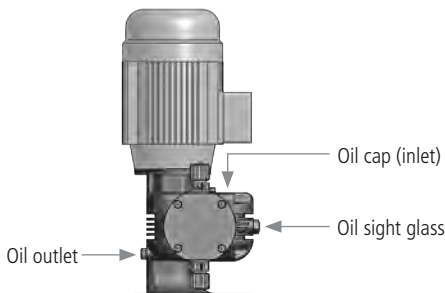
The required amount of oil is 0,30 lt. For acceptable lubricants see the table below. Check oil level regularly. Change the oil every 8.000-10.000 operating hours.

**⚠ You must never start the pump without oil.**


Tab. 10. Acceptable oil for lubricating


BRAND	LUBRICANT TYPE
MOBIL	MOBILGEAR 632
SHELL	OMALA OIL 320
BP	ENERGOL GR-XP 320
IP	MELLANA OIL 320
ESSO	SPARTAN EP 320
AGIP	BLASIA 320


Fig. 2. Oil filling





### 2.2.3 Piping connection

 **Never operate any pumping system with a blocked suction and discharge. Operation, even for a brief period under these conditions, can cause motor to overheat. You must take all necessary measures to avoid this condition.**

 **Suction piping should be as short as possible and installed in vertical position to avoid air bubbles suction.**

 **Suction and delivery valves must be installed in vertical position.**

 **Hand-tighten the nuts firmly.**  
Do not use tongs or any other tool.

 **Delivery hose must be firmly fixed to avoid suddenly movements that could damage near objects**

---

### 2.2.4 Pump head

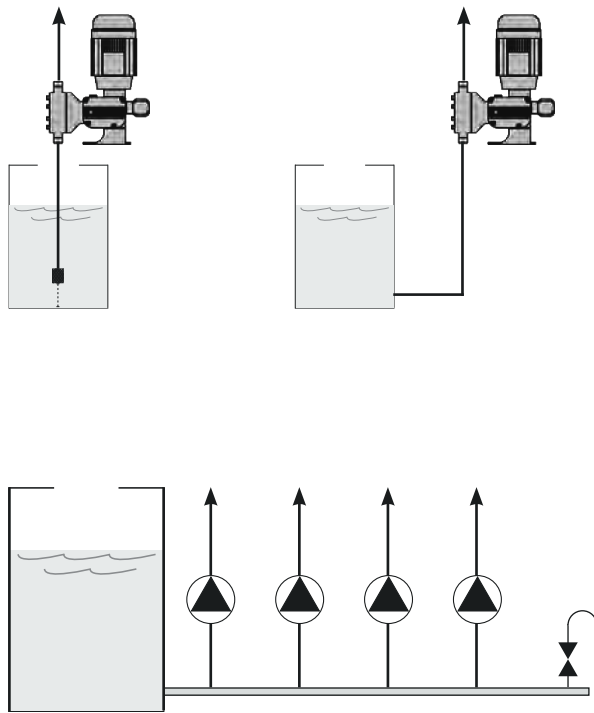
Pump head priming procedure described in "5. PRIMING" page 20.  
PP pump head or SS pump head available.

---

### 2.2.5 Foot filter

Foot filter is always recommended.  
Foot filter should be adequate to suction piping and installed at least 10 cm from the tank bottom.

Fig. 3. Installation drawings



**If the injection valve of the Prius (1 ½ ") is assembled or used in line, do not apply the oring to prevent it from running into the system. Install o-ring only when fitting in to a system which has an o-ring flush.**



### 3. ELECTRICAL WIRING

#### 3.1 Preliminary checks

**⚠** The electrical wirings should be carried out by **AUTHORIZED AND QUALIFIED PERSONNEL** only in accordance with local regulations.

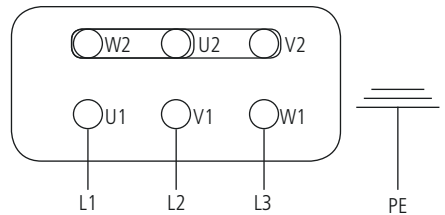
Before to proceed, verify the following steps:

- 1. Verify the data on nameplate.**  
Make sure that the electrical data on the nameplate of the motor corresponds to the electrical supply.
- 2. Verify the grounded power outlet.**  
The pump must be plugged to a grounded power outlet.
- 3. Install a motor protection switch.**  
Pump must be connected to a motor protection switch (Residual Current Circuit Breaker - MCCB).
- 4. Verify the cable.**  
Cable type and cross-section must be in accordance to motor data.
- 5. Verify the motor rotation.**  
Start up the pump to check the motor's direction of rotation. It must comply with that indicated by the arrow marked on the motor fan cover. If the direction is reversed, rewire the motor power wires in accordance with the wiring diagram, refer to "3.2 Connection diagrams".

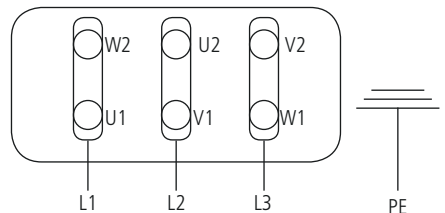
#### 3.2 Connection diagrams

##### CONNECTION DIAGRAMS for 3~PHASE MOTOR 50 Hz

"Y" CONNECTION  
380-420 Vac

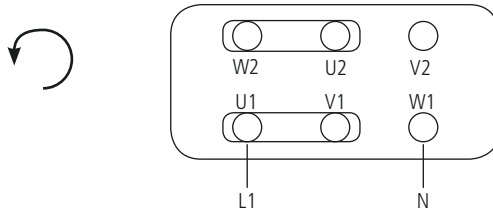
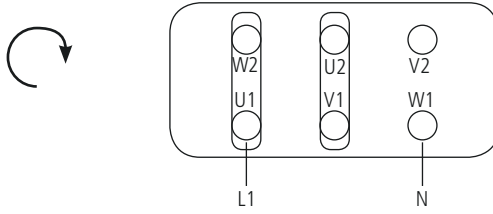


"Δ" (DELTA) CONNECTION  
220-240 Vac



CONNECTION DIAGRAMS for 1~PHASE MOTOR

**⚠** MOTOR SUITABLE FOR INSERTIONS WITH RANGE OF AT LEAST 6" INTERVAL



## 4. START UP

### 4.1 Start up

All operation before described must be carried out before starting the pump.

1. Pump location
2. Oil filling
3. Piping connection
4. Electric wiring

Follow the **"GENERAL SAFETY GUIDELINES" PAGE 4.**

1. Start the pump at minimum pressure.
2. Turn the stroke length knob on 20%.
3. After 5 minutes, gradually increase the capacity until reaching the prescribed value for the operating condition.



**Control the pressure correspond to the one on the nameplate. If not, stop the pump immediatly.**

If the pump does not start to dose:

- a) Stop the pump.
- b) Prime the pump head ("5. PRIMING" PAGE 20)
- c) Start the pump again.

4. Monitor periodically the pump functioning.

## 5. PRIMING

### 5.1 Warnings

The first time and where use of the pump is suspended for a long period of time, priming may be necessary. It allows suction piping and pump head to fill with liquid before pumping against pressure. Priming the pump is also recommended when there is air into pump head or into suction pipe.

**⚠ Feeder should be interlocked with a no-flow protection device to automatically shut-off the pumps when there is no flow!**

**⚠ Adequate measures shall be taken to prevent cross connection of chemicals!**

**⚠ Chemical feeding must be stopped during backwash cycles and periods of noflow as these conditions may introduce the potential for chemical overdosing. Not doing so may result in elevated chemical concentrations and hazerdous gas introduction into the pool or spa.**

**⚠ Never operate any pumping system with a blocked suction and discharge. You must take all necessary measures to avoid this condition.**

#### **⚠ SAFETY EQUIPMENT**

**Use safety equipment according to the company regulations. Use this safety equipment within the work area:**

- **Helmet**
- **Safety goggles (with side shields)**
- **Protective shoes**
- **Protective gloves**
- **Gas mask**

### 5.2 How to prime the pump

1. Connect all pipings (suction, delivery).
2. Rotate stroke lenght knob (pull and rotate) on 100%;
3. Power the pump.
4. Proceed to standard operating condition.

## 6. MAINTENANCE

### 6.1 Maintenance schedule

Before start maintenance, the operator must be aware of safety precautions to prevent physical injury.

#### OPERATOR PROTECTION

Use safety equipment according to the company regulations.

Use this safety equipment within the work area during installation, service and when handling chemicals:


- protective mask
- protective gloves
- safety goggles
- ear plugs or hear muffs
- further security device, if necessary.

#### POWER SUPPLY DISCONNECTION

Always disconnect power to the motor before you perform any installation or maintenance tasks. Failure to disconnect power will result in serious physical injury.

#### Installation and maintenance tasks should be carried out by AUTHORIZED AND QUALIFIED PERSONNEL only in accordance with local regulations.

#### Before starting any maintenance or before long downtimes, drain the chemical from pump head.

 Use original spare parts.

### 6.2 Maintenance inspection

A maintenance schedule includes these types of inspections:

- Routine maintenance and inspections
- Three-month inspections
- Annual inspections

Shorten the inspection intervals appropriately if the pumped chemical is abrasive or corrosive.

#### **Routine maintenance and inspections**

Perform these tasks whenever you perform routine maintenance:

- Inspect the seal. Ensure that there are no leaks from the mechanical seal.
- Check electrical wiring
- Check the level and condition of the oil through the sight glass
- Check for unusual noise and vibration (noise allowed 78 dbA;  $\pm 5$  dB).
- Check the pump and piping for leaks.
- Inspect the discharge pressure.
- Check temperature (motor temperature max 70°C; pump head max 40°C)
- Check for corrosion on parts of the pump and / or on hoses.

#### **Three-month inspections**

Perform these tasks every three months:

- Check that the bolts are tight.
- Check the mechanical seal if the pump has been left idle.

#### **Annual inspections**

Perform these inspections one time each year:


- Check the pump capacity (as per nameplate).
- Check the pump pressure (as per nameplate).
- Check the pump power (as per nameplate).
- Change the oil every year (8.000-10.000 operating hours).
- Change the oil more often if there are adverse conditions


If the pump performance does not satisfy your process requirements, and the process requirements have not changed, then perform these steps:

1. Disassemble the pump.
2. Inspect it.
3. Replace worn parts.

---

### 6.3 Shutdown procedure

 **This procedure SHOULD BE CARRIED OUT BY AUTHORIZED AND QUALIFIED PERSONNEL**

 **OPERATOR PROTECTION**

Use safety equipment according to the company regulations.

Use this safety equipment within the work area during installation, service and when handling chemicals:

- protective mask
- protective gloves
- safety goggles
- ear plugs or hear muffs
- further security device, if necessary.

Shutdown the dosing pump **before any maintenance operation** or **before long downtimes**. Disconnect power to the motor and ensure it cannot be restarted.

 **Depressurize the system. The liquid may leak splashing.**

Drain the chemical from pump head.

Release the pressure.

Rinse the pump head and clean all valves.


## 7. TROUBLESHOOTING


Tab. 11. Guide to troubleshooting.

PROBLEM	CAUSE	REMEDY
Dosing pump not delivering or output too low	Suction valve leaking or blocked	Clean or replace suction valve
	Suction pipe leaking or blocked	Replace suction pipe
	Air bubbles into pump head or into suction pipe	Prime the pump as described in "5.1 How to prime the pump" page 20
	Viscosity too high	Increase the pipe diameter or contact manufacturer
	Suction lift too high	Decrease lift
	Foot filter obstruction	Clean the foot filter
Motor and pump head too hot	Wrong wiring or defecting contact	Check wiring
	Pressure too high	Install a valve
	Delivery pipe obstructed or blocked	Clean delivery pipe
	Low level oil	Refill oil
Liquid loss	Plunger o-ring damaged	Contact manufacturer for replacement

 If the problem can not be solved, please contact after-sales service or return the dosing pump to the manufacturer.

### 7.1 Repair service

 **Before return the dosing pump to the manufacturer Repair service, drain the chemical from pump head and rinse it. If there is the possibility that residual corrosive liquid into pump head could cause damages, declare it on REPAIR FORM.**

 **Remove oil and replace operating cap with the blind cap.**

 Complete the PRODUCT SERVICE REPAIR FORM and send it with the dosing pump. Repair service is not accepted if PRODUCT SERVICE REPAIR FORM is missing.

## 8. COMPATIBILITY TABLE

### 8.1 Chemical compatibility table

Metering pumps are widely used to dose chemical fluids and it is important that the most suitable material in contact with fluid is selected for each application. This compatibility table serves as a useful help in this respect. All the informations in this list are verified periodically and believed to be correct on the date of issuance. All the informations in this list are based on manufacturer's data and its own experience but since the resistance of any material depends by several factors this list is supplied only as an initial guide, in no way manufacturer makes warranties of any matter respect to the informations provided in this list.

Tab. 12. Chemical compatibility table.

Product	Formula	Ceram.	PVDF	PP	PVC	SS 316	PMMA	Hastel.	PTFE	FPM	EPDM	NBR	PE
Acetic Acid, Max 75%	CH3COOH	2	1	1	1	1	3	1	1	3	1	3	1
Hydrochloric Acid, Concentrate	HCl	1	1	1	1	3	1	1	1	1	3	3	1
Hydrofluoric Acid 40%	H2F2	3	1	3	2	3	3	2	1	1	3	3	1
Phosphoric Acid, 50%	H3PO4	1	1	1	1	2	1	1	1	1	1	3	1
Nitric Acid, 65%	HNO3	1	1	2	3	2	3	1	1	1	3	3	2
Sulphuric Acid, 85%	H2SO4	1	1	1	1	2	3	1	1	1	3	3	1
Sulphuric Acid, 98.5%	H2SO4	1	1	3	3	3	3	1	1	1	3	3	3
Amines	R-NH2	1	2	1	3	1	-	1	1	3	3	1	1
Sodium Bisulphite	NaHSO3	1	1	1	1	2	1	1	1	1	1	1	1
Sodium Carbonate (Soda)	Na2CO3	2	1	1	1	1	1	1	1	2	1	1	1
Ferric Chloride	FeCl3	1	1	1	1	3	1	1	1	1	1	1	1
Calcium Hydroxide (Slaked Lime)	Ca(OH)2	1	1	1	1	1	1	1	1	1	1	1	1
Sodium Hydroxide (Caustic Soda)	NaOH	2	3	1	1	1	1	1	1	2	1	2	1
Calcium Hypochlor.(Chlor. ted Lime)	Ca(OCl)2	1	1	1	1	3	1	1	1	1	1	3	1
Sodium Hypochlorite, 12.5%	NaOCl + NaCl	1	1	2	1	3	1	1	1	1	1	2	3
Potassium Permanganate, 10%	KMnO4	1	1	1	1	1	1	1	1	1	1	3	1
Hydrogen Peroxide, 30% (Perydrol)	H2O2	1	1	1	1	1	3	1	1	1	3	3	1
Aluminium Sulphate	Al2(SO4)3	1	1	1	1	1	1	1	1	1	1	1	1
Copper-II-Sulphate (Roman Vitriol)	CuSO4	1	1	1	1	1	1	1	1	1	1	1	1

1 - Good resistance rating

2 - Fairly resistance rating

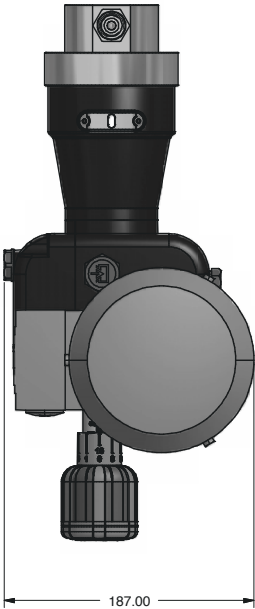
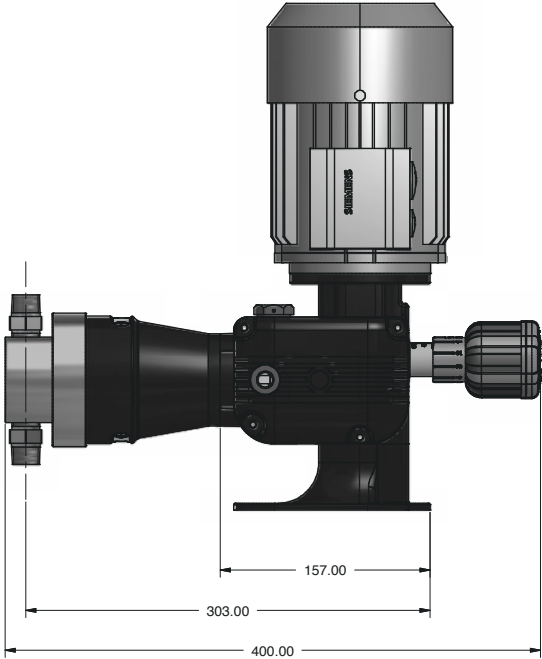
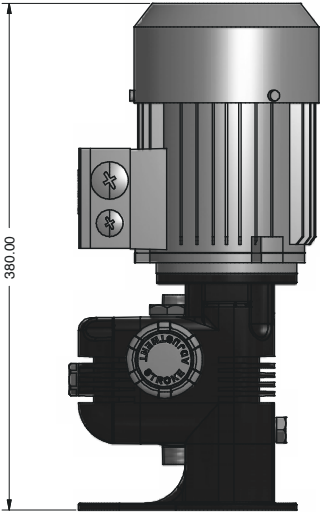
3- Not resistant

### 8.2 Materials

Polyvinylidene fluoride (PVDF) .....Pump heads, Valves, Fittings  
 Polypropylene (PP).....Pump heads, Valves, Fittings  
 PVC .....Pump heads  
 Stainless steel (SS 316).....Pump heads, Valves  
 Polymethyl Metacrilate Acrylic (PMMA) .....Pump heads  
 Ceramic (SIALOX96) or Stainless steel (AISI420).....Plunger  
 Fluorocarbon (FPM) .....O-ring  
 Ethylene propylene (EPDM).....O-ring  
 Nitrile (NBR).....O-ring



9. DIMENSIONS





**PRODUCT SERVICE REPAIR FORM**

ENCLOSE THE PRESENT FORM TO THE DELIVERY NOTE

DATE .....

<p><b>SENDER</b>  Company name.....  Address .....,.....  Phone no. ....  Contact person.....</p>
---

**PRODUCT TYPE (see product label)**

DEVICE CODE .....  
S/N (serial number).....

**OPERATING CONDITIONS**

Location/installation description .....  
.....  
Chemical .....,.....  
Start-up (date) ..... Running time (approx. hours).....

REMOVE ALL THE LIQUID INTO THE PUMP HEAD AND DRY IT BEFORE PACKAGING IN ITS ORIGINAL BOX.

**DESCRIPTION OF PROBLEM**

- MECHANICAL
  - Wear parts.....
  - Brekage/other damages .....
  - Corrosion.....
  - Other.....
- ELECTRICAL
  - Connections, connector, cables .....
  - Operating controls (keyboard, display, etc.) .....
  - Elettronics.....
  - Other.....
- LEAKS
  - Connections.....
  - Pump head .....
- NOT OR INADEQUATE FUNCTION/OTHER
  - .....
  - .....
  - .....

**I declare that the dosing pump is free of any hazardous chemical.**

\_\_\_\_\_  
Signature of the compiler

\_\_\_\_\_  
Company stamp



### **Disposal of end-of-life equipment by users**

This symbol warns you not to dispose of the product with normal waste. Respect human health and the environment by giving the discarded equipment to a designated collection center for the recycling of electronic and electrical equipment. For more information visit the online site.



When dismantling a pump please separate material types and send them according to local recycling disposal requirements. We appreciate your efforts in supporting your local Recycle Environmental Program. Working together we'll form an active union to assure the world's invaluable resources are conserved.