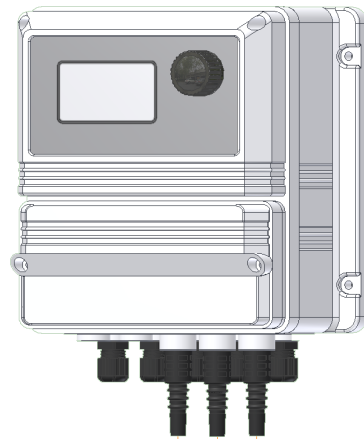


## FEATURES

- Instrument operated by a rotation "Encoder"
- Flow control input
- pH range: 0-14 pH; Chlorine range: 0-10 mg/l Cl<sub>2</sub>
- Chlorine amperometric cell: to specify
- PT100 Temperature probe
- pH probe
- Stand-by input
- Probe alarm (probe check-up)
- Max dosing time alarm
- Threshold alarm
- Level alarm
- Flow alarm
- SMS alarm sending (as option)
- Ethernet connection to email alarm condition (as option)
- Programmable delay at dosing startup (max 60 minutes)
- pH priority dosage over Chlorine dosage
- Chlorine and pH compensation (with ECL6 or ECL12 only)
- Service Menù for real time probe reading
- Real time internal clock
- PID controller manages all instrument outputs based on changes read by mA input and multiply value referring to % and type of mA signal (0-4/20) and Hz(0/500).
- Automatic or manual dosing activity
- Chlorine/Bromine selection with ECL6 / ECL12 probe
- Data log storage on USB device (as option)
- mA outputs (as option)



Microprocessor digital regulator for pH and Chlorine with temperature reading. Setpoint with PID regulation. Pulses per minute can be set for outputs.  
Wide LCD backlight display.

### INPUT:

- Stand-by
- Flow
- pH (+) level
- pH (-) level
- Chlorine level
- pH probe
- Chlorine probe
- Temperature probe

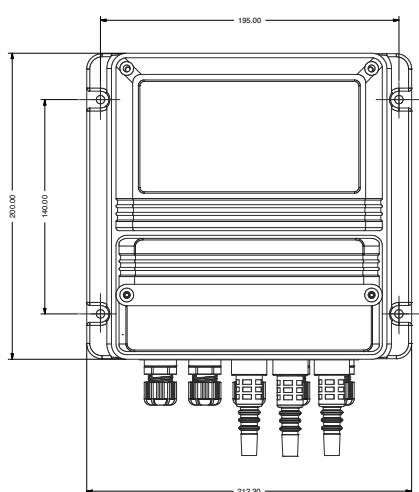
### OUTPUTS:

- 3 pulses outputs (pH and Cl)
- 2 relay outputs (pH and Cl)
- Main alarm

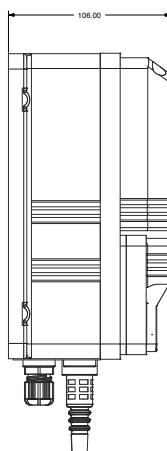
## ELECTRICAL

|                             |  |                              |
|-----------------------------|--|------------------------------|
| INPUT SIGNAL                | ON/OFF OUTPUT                          | ALARM OUTPUT                 |
| BNC (pH)                    | 2 relays; 5A @ 230 VAC                 | 85-264VAC                    |
| Board connection (Chlorine) | (fuse protected)                       |                              |
|                             |  | STAND-BY                     |
| POWER SUPPLY                | PROPORTIONAL OUTPUT                    | 1 contact input              |
| 90-265 VAC; 50/60 Hz        | Pulse output signal,<br>open collector | RS485 OUTPUT                 |
| AVERAGE CONSUMPTION         | 0-180 pulses per minute                | 1 RS485 output<br>(optional) |
| 25 W                        |  |                              |

## DIMENSIONS



FRONT



SIDE

## ENCLOSURE

IP65 enclosure (NEMA4x).

LDPHCLH control instruments are manufactured in ABS housing to ensure protection against aggressive chemicals and tough environment.

## ENVIRONMENT

-10°C - 50°C (14°F - 122°F)

0-95% (non condensing) relative humidity

## AMPEROMETRIC CELLS - PH PROBE - TEMPERATURE PROBE

| CLOSED AMPEROMETRIC CELL    |                          |
|-----------------------------|--------------------------|
| Model                       | Range                    |
| ECL 1/2                     | 0-2.000 mg/l CL2         |
| ECL 1/5                     | 0-5.00 mg/l CL2          |
| ECL 1/20                    | 0-20.00 mg/l CL2         |
| ECL 1/200                   | 0-200.0 mg/l CL2         |
| ECL 3S/10                   | 0-10.00 mg/l CL2         |
| ECL 3N/2                    | 0-2.000 mg/l CL2         |
| ECL 9/200                   | 0-200.0 mg/l CL2         |
| ECL 10/1                    | 0-0.5 mg/l CL2           |
| ECL 10/10                   | 0-10.00 mg/l CL2         |
| ECL 11/200                  | 0-200.0 mg/l CL2         |
| ECL 11/2000                 | 0-2000 mg/l CL2          |
| ECL 17                      | 0-10.00 mg/l CL202       |
| ECL 18                      | 0-10.00 mg/l CL2         |
| EBR1/20                     | 0-20.00 mg/l Br          |
| OPEN AMPEROMETRIC CELL      |                          |
| ECL 4, 5, 6, 6E, 7, 12, 12E | 0-10.00 mg/l CL2<br>o Br |
| PH PROBE                    |                          |
| EPHS                        | 0-14 pH                  |
| TEMPERATURE PROBE           |                          |
| ETEPT                       | 0-100° C                 |