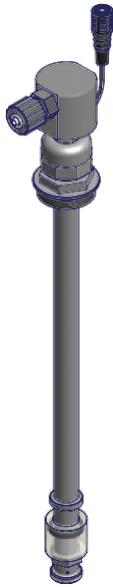
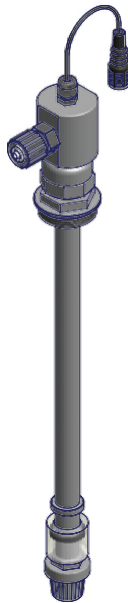


LASP



LASP4



LASP5

SUCTION LANCES

EN

OPERATING MANUAL




This operating instructions contains safety information that if ignored can endanger life or result in serious injury.


Read these instructions **carefully** before use and keep them for future reference.


Information and specifications on this manual could be incorrect or could have printing errors. Specifications are subject to change without notice.


Version: EN R1-09-16


SUCTION LANCE IS USED IN DRINKING WATER TREATMENT.

-  Do not use with radioactive chemicals.
Do not use with flammable chemicals.

-  When using pump with aggressive chemicals observe the regulations concerning the transport and storage of aggressive fluids.

-  Manufacturer is not liable for any unauthorized use or misuse of this product that may cause injury, damage to persons or materials.

-  When installing always observe national regulations.

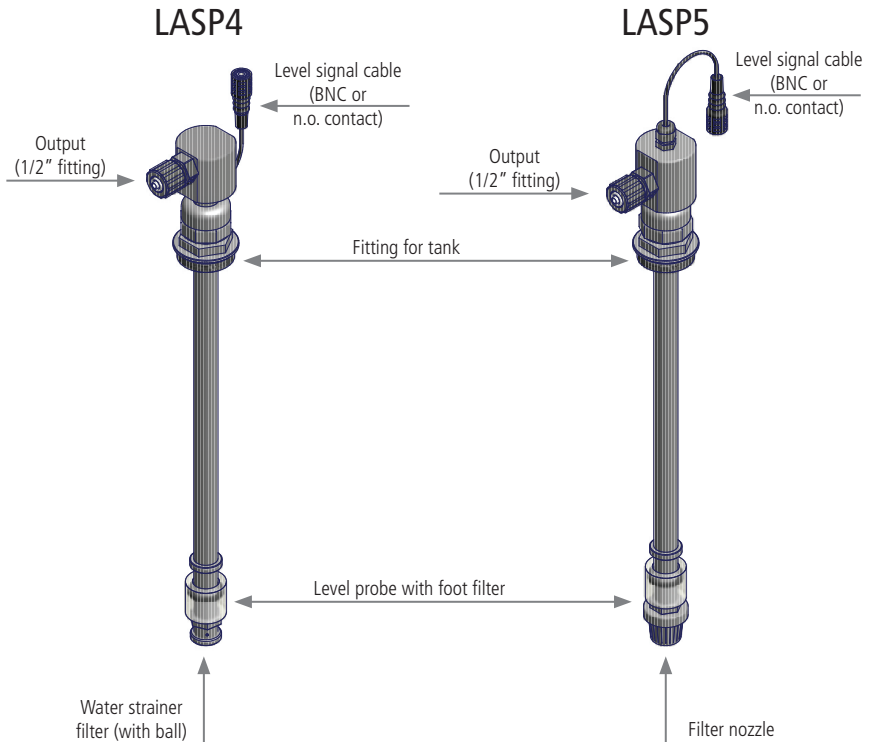
-  Before any operation:
 - always read chemical Material Safety Data Sheet (MSDS);
 - always wear protective clothing;
 - always discharge the liquid end before servicing the pump.
 - empty and rinse the liquid end before work on a pump which has been used with hazardous or unknown chemicals.

INTRODUCTION

The suction lance is a device for the suction of chemical product from the storage tank. It is available in different sizes depending on the tank. Suction lance is made of PVC, with EPDM or FKM B o-ring.

FEATURES

- Level probe for end product pre-alarm signal. IASP4 model is available with double level probe.
- Suction valve with foot filter.
- Adjustable height system
- 1 1/2" pipe fitting
- Output (1/2" fitting)
- Up to 2 suction input available

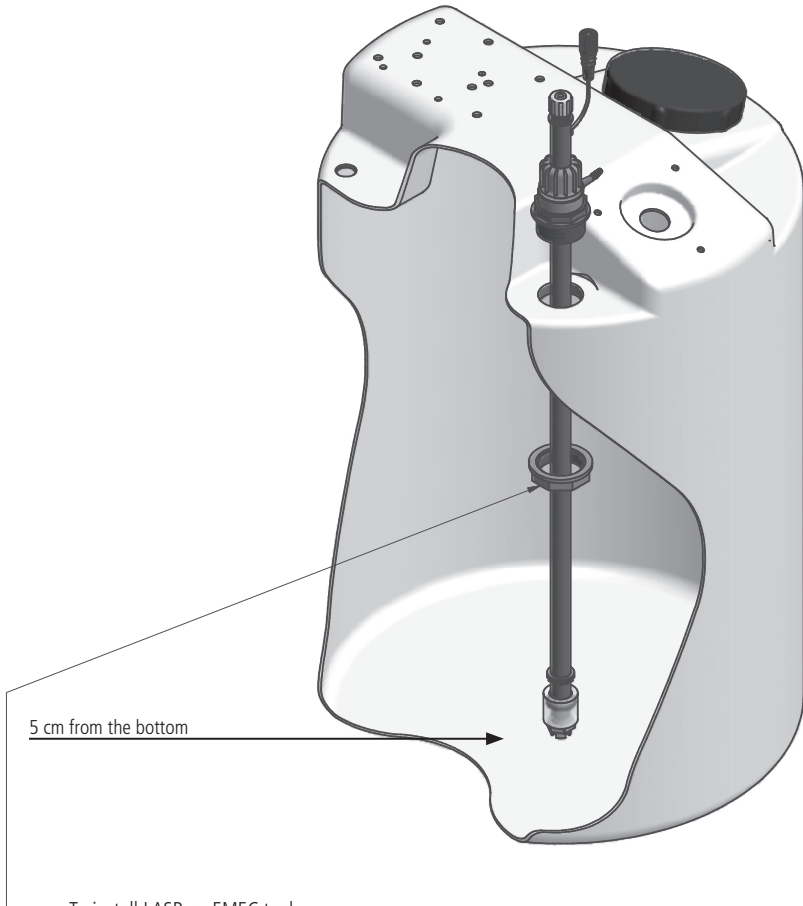


INSTALLATION

1. To install LASP on tank insert it in the through-hole and screw the counter nut.
If the LASP is ordered together with the tank, the counter nut is not present: screw the LASP on the threading on tank after removing the collar nut.

LASP must be installed at 5 cm from the bottom.

Fig. 1. Installation on tank.



5 cm from the bottom

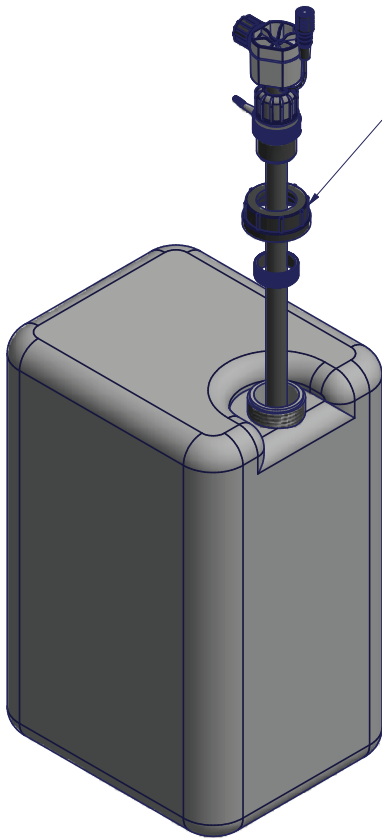
To install LASP on EMEC tank:

1. remove 1 1/2" counter nut and screw the LASP on the tank.

For other tanks:

1. prepare a through-hole of 50 cm diameter;
2. remove 1 1/2" counter nut;
3. insert LASP in the through-hole;
4. screw the 1 1/2" counter nut on the LASP.

Fig. 2. Installation on plastic drums (small size).



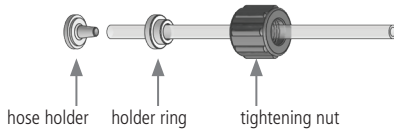
LASP4 with adjustment 38 Pitch 2 on small size drum:

1. prepare a through-hole of 38.5 cm diameter on the cap;
2. remove 1 1/2" counter nut;
3. insert the LASP in the cap through-hole;
4. insert and screw the 1 1/2" counter nut;
5. screw the cap on the tank.

← 5 cm from the bottom

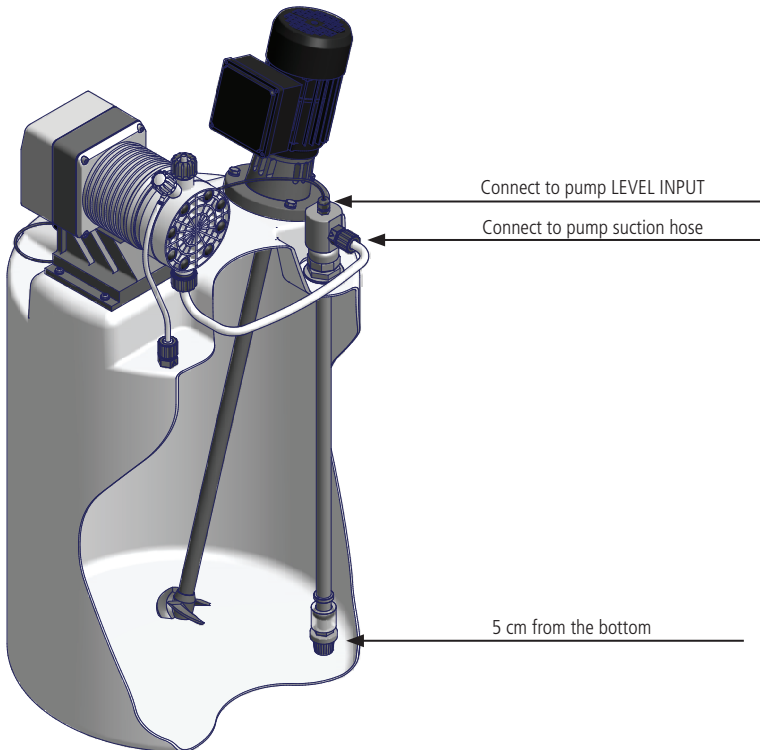
2. Connect pump suction hose to LASP output (1/2" fitting).

Fig. 3. Hose assembly.



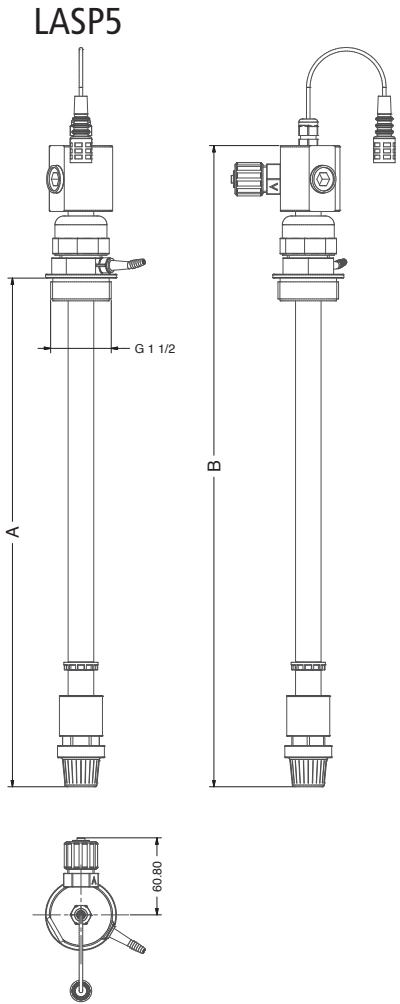
3. Connect BNC level signal cable to BNC level on metering pump.
If there are two level signal cable connect the second to an instrument or PLC.

Fig. 4. LASP connections.



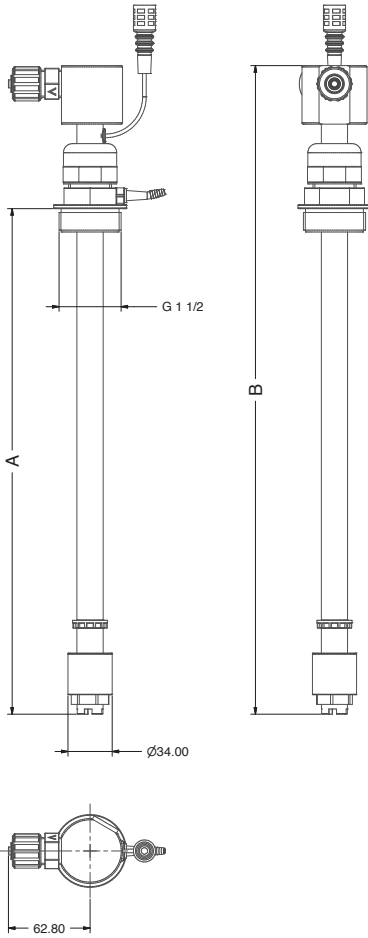
DIMENSIONS

Dimensions: mm



MODEL	A	B	TANK VOLUME
LASP5/V40 LASP5/D40	400	505	50 lt (mod. CNT PD 50)
LASP5/V63 LASP5/D63	630	735	120 lt (mod. CNT PD 120)
LASP5/V75 LASP5/D75	750	855	250 lt (mod. CNT PD 250)
LASP5/V108 LASP5/D108	1080	1185	500 lt (mod. CNT PD 500)
LASP5/V122 LASP5/D122	1220	1345	1000 lt (mod. CNT PD 1000)

LASP4



MODEL	A	B	TANK VOLUME
LASP4/V40 LASP4/D40	400	510	50 lt (mod. CNT PD 50)
LASP4/V63 LASP4/D63	630	740	120 lt (mod. CNT PD 120)
LASP4/V75 LASP4/D75	750	860	250 lt (mod. CNT PD 250)
LASP4/V108 LASP4/D108	1080	1190	500 lt (mod. CNT PD 500)
LASP4/V122 LASP4/D122	1220	1330	1000 lt (mod. CNT PD 1000)

MAINTENANCE



OPERATOR PROTECTION

Use safety equipment according to the company regulations.

Use this safety equipment within the work area during installation, service and when handling chemicals:

- protective mask
- protective gloves
- safety goggles
- ear plugs or hear muffs
- further security device, if necessary.



POWER SUPPLY DISCONNECTION

Always disconnect power to the motor before you perform any installation or maintenance tasks. Failure to disconnect power will result in serious physical injury.



Installation and maintenance tasks should be carried out by **AUTHORIZED AND QUALIFIED PERSONNEL** only in accordance with local regulations.



Use original spare parts.

1. Arrestare la pompa ed eventuali apparecchiature presenti sul serbatoio prima di ogni intervento di manutenzione. Shutdown the dosing pump and all devices on the tank before any maintenance operation or before long downtimes.
2. Disconnect power and ensure it cannot be restarted.



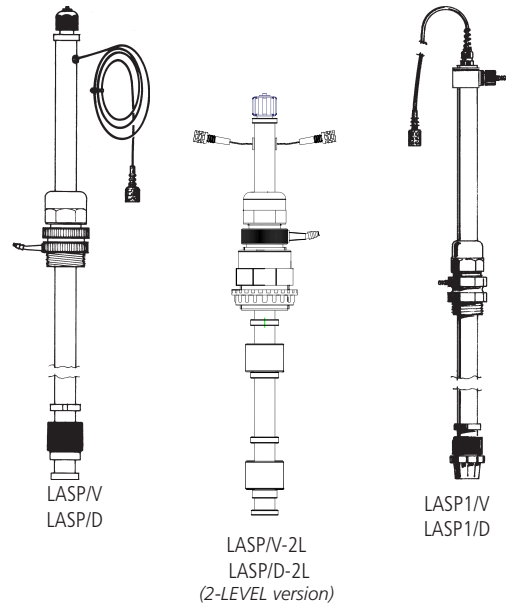
Depressurize the system. The liquid may leak splashing.

3. Drain the chemical from pump head and hoses.
4. Unscrew LASP and pull it out of tank.
5. LASP4: unscrew the bottom filter paying attention to the ceramic ball inside.
Wash filter to remove deposit and crystals.
LASP5: pull filter nozzle and proceed to backwash with water.

FEATURES

- Level switch (double level probes available)
- Foot valve and foot filter
- Adjustable height
- 1 1/4" pipe fitting
- PVC body
- Up to 4 suction input available

SPECIFICATIONS



MODELS	
LASP3	LASP - Fittings 3/8"
LASP1	LASP1 - Fittings 1/2"

O-RING	
V	Viton *
D	Ethylene Propylene

LENGTH cm	
045	45
046	46
060	60
072	72
080	80
090	90
010	115

FITTING AND HOSE	
0	3/8" and 4x6
1	3/8" and 6x8
2	3/8" and 4x8
3	1/2" and 4x6
4	1/2" and 6x8
5	1/2" and 8x12
A	1/2" and 8x10

INPUTS (suction)	
1	1
2	2
3	3
4	4

LEVEL - CONTACT - CONNECTOR	
0	Level - N.O. contact - BNC
1	Level - N.O. contact - without BNC
4	without level
5	2 levels at 20cm* - BNC
7	2 levels at 20cm* - without BNC
8	2 levels at 10cm* - BNC

* Specify on order the distance between 2 levels.

Model **LASP1** **V** **060** **0** **1** **0** **0** **004** **1**

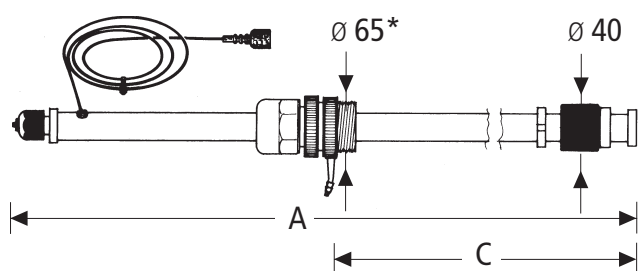
FILTER	
0	EMEC filter (LASP3)
1	ILMAP filter (LASP1)

Viton® is a registered trademark of DuPont Dow Elastomers.

DIMENSIONS

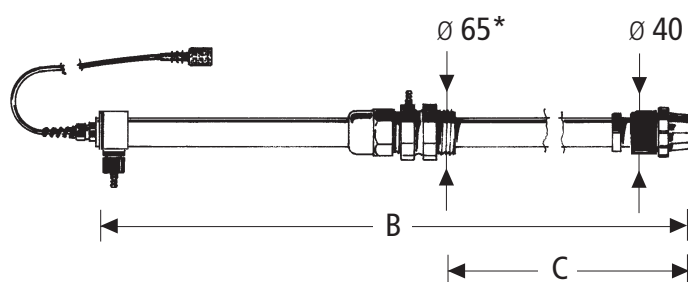
OPERATING LENGHT (C)	TOTAL LENGHT (A)	TOTAL LENGHT (B)	TANK CONTENTS LITRES
45 cm	60 cm	61 cm	25 lt
46 cm	61 cm	62 cm	60 lt (mod. CNT06)
60 cm	75 cm	76 cm	100 lt (mod. CNT1N)
72 cm	87 cm	88 cm	200 lt (mod. CNT2N)
80 cm	95 cm	96 cm	300 lt (mod. CNT3N)
90 cm	105 cm	106 cm	500 lt (mod. CNT5N)
115 cm	130 cm	131 cm	1000 lt (mod. CNT10N)

LASP3/V e LASP3/D



* Ø 45 for "45 cm" operating length model

LASP1/V e LASP1/D



* Ø 45 for "45 cm" operating length model



Disposal of end-of-life equipment by users

This symbol warns you not to dispose of the product with normal waste. Respect human health and the environment by giving the discarded equipment to a designated collection center for the recycling of electronic and electrical equipment. For more information visit the online site.



When dismantling a pump please separate material types and send them according to local recycling disposal requirements. We appreciate your efforts in supporting your local Recycle Environmental Program. Working together we'll form an active union to assure the world's invaluable resources are conserved.