

FEATURES

- The mixer is used with size tank from 120 l to 1000 l.
- The gear box (lubrication free) is coupled to the tank fixing flange.
- The main axis is made in stainless steel and covered in PVC.
- The seal against chemical vapour is a Fluorocarbon rotary seal inserted between the flange and the PVC cover of the shaft. This protects the gear box and the motor from chemical vapour.

EMEC supplies MIX with three different speeds: 65 RPM, 200 RPM and 1400 RPM.

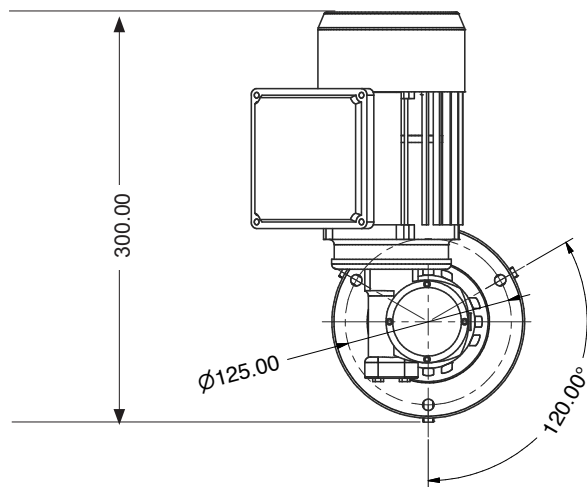
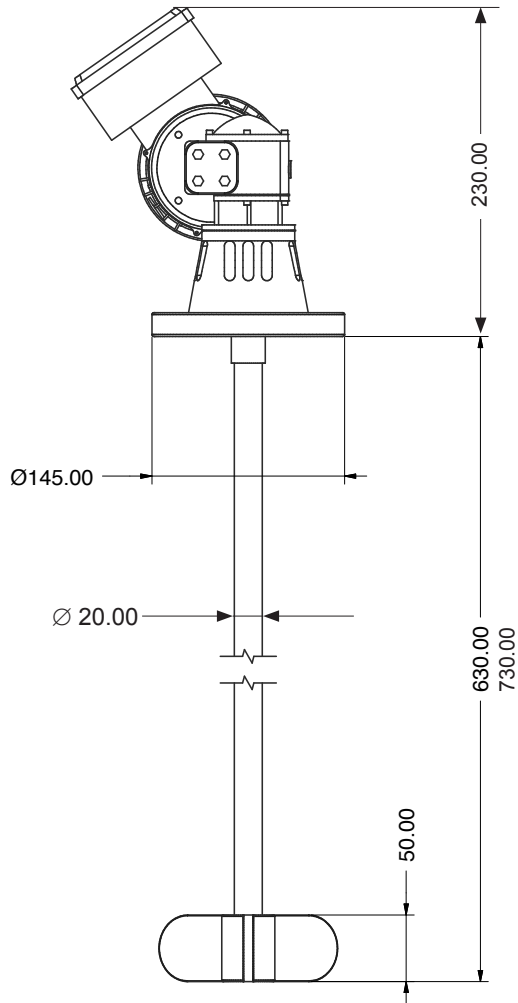
The MIX shaft length can be customized to fit different size tanks.

SPECIFICATIONS

| MODELS | Rated power (kW) | Rotation speed (rpm) ¹ | Height (mm) ¹ | Tank | Impeller | Impeller diameter (mm) | Weight (Kg) |
|------------|------------------|-----------------------------------|--------------------------|-------------|----------|------------------------|-------------|
| MIX8N-MON | 0,09 | 65 or 200 | 630 | CNT PD 120 | 3 blades | 150 | 7.00 |
| | | | 730 | CNT PD 250 | | | |
| MIX8N-TRI | 0,09 | 65 or 200 | 630 | CNT PD 120 | 3 blades | 150 | 6.55 |
| | | | 730 | CNT PD 250 | | | |
| MIXV8N-MON | 0,09 | 1400 | 630 | CNT PD 120 | marine | 70 | 5.50 |
| | | | 730 | CNT PD 250 | | | |
| MIXV8N-TRI | 0,09 | 1400 | 630 | CNT PD 120 | marine | 70 | 5.30 |
| | | | 730 | CNT PD 250 | | | |
| MIX4N-MON | 0,18 | 65 or 200 or 400 | 730 | CNT PD 250 | 4 blades | 150 | 11.00 |
| | | | 980 | CNT PD 500 | | | |
| | | | 1100 | CNT PD 1000 | | | |
| MIX4N-TRI | 0,18 | 65 or 200 or 400 | 730 | CNT PD 250 | 4 blades | 150 | 9.50 |
| | | | 980 | CNT PD 500 | | | |
| | | | 1100 | CNT PD 1000 | | | |
| MIXV4N-MON | 0,18 | 1400 | 730 | CNT PD 250 | marine | 90 | 8.00 |
| | | | 980 | CNT PD 500 | | | |
| MIXV4N-TRI | 0,18 | 1400 | 730 | CNT PD 250 | marine | 90 | 8.00 |
| | | | 980 | CNT PD 500 | | | |
| MIXV2N-MON | 0,37 | 1400 | 730 | CNT PD 250 | marine | 90 | 12.00 |
| | | | 980 | CNT PD 500 | | | |
| | | | 1100 | CNT PD 1000 | | | |
| MIXV2N-TRI | 0,37 | 1400 | 730 | CNT PD 250 | marine | 90 | 10.50 |
| | | | 980 | CNT PD 500 | | | |
| | | | 1100 | CNT PD 1000 | | | |
| MIX2N-MON | 0,37 | 65 or 200 or 400 | 1100 | CNT PD 1000 | 4 blades | 200 | 16.00 |
| MIX2N-TRI | 0,37 | 65 or 200 or 400 | 1100 | CNT PD 1000 | 4 blades | 200 | 14.50 |

DIMENSION (mm)

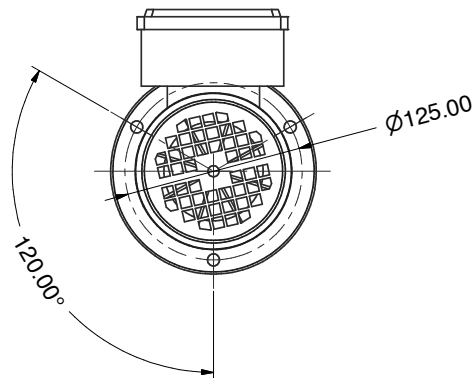
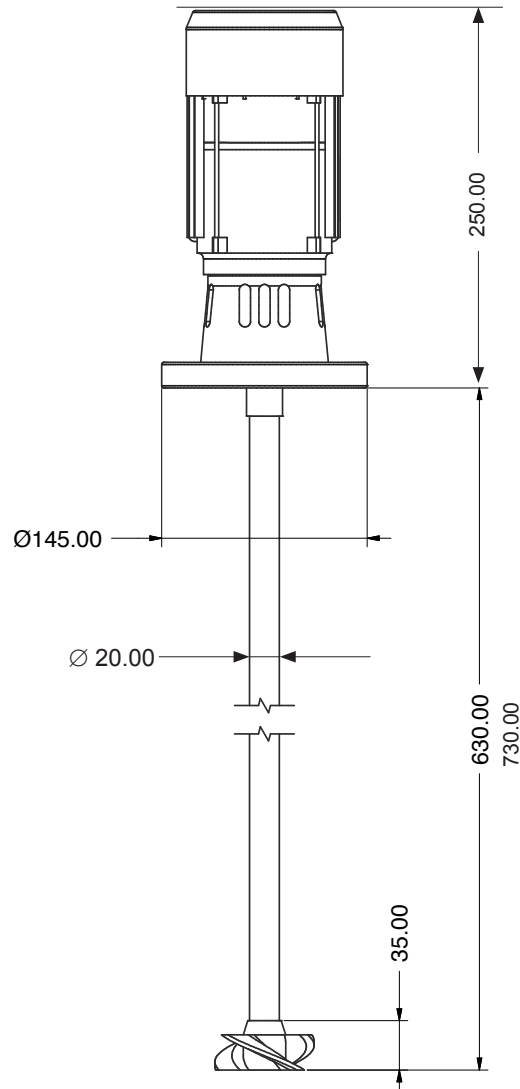
MIX8N-MON
MIX8N-TRI



DIMENSION (mm)

MIXV8N-MON

MIXV8N-TRI



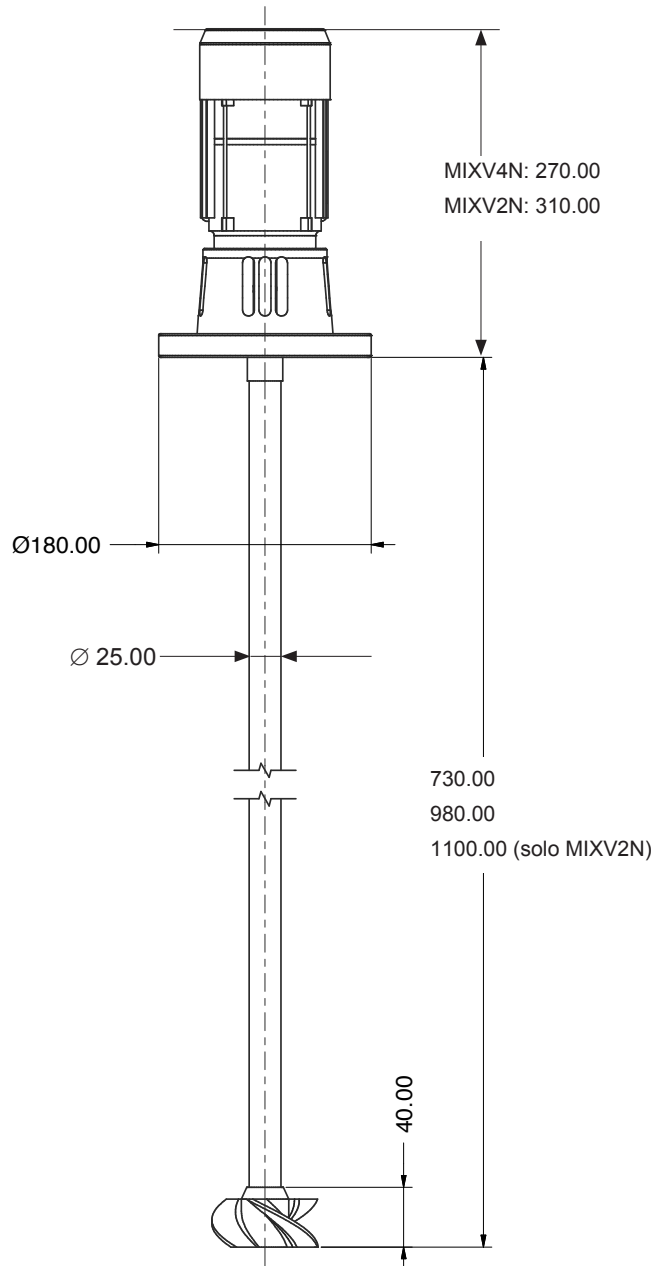
DIMENSION (mm)

MIXV4N-MON

MIXV4N-TRI

MIXV2N-MON

MIXV2N-TRI



DIMENSION (mm)

MIX2N-MON

MIX2N-TRI

MIX4N-MON

MIX4N-TRI

